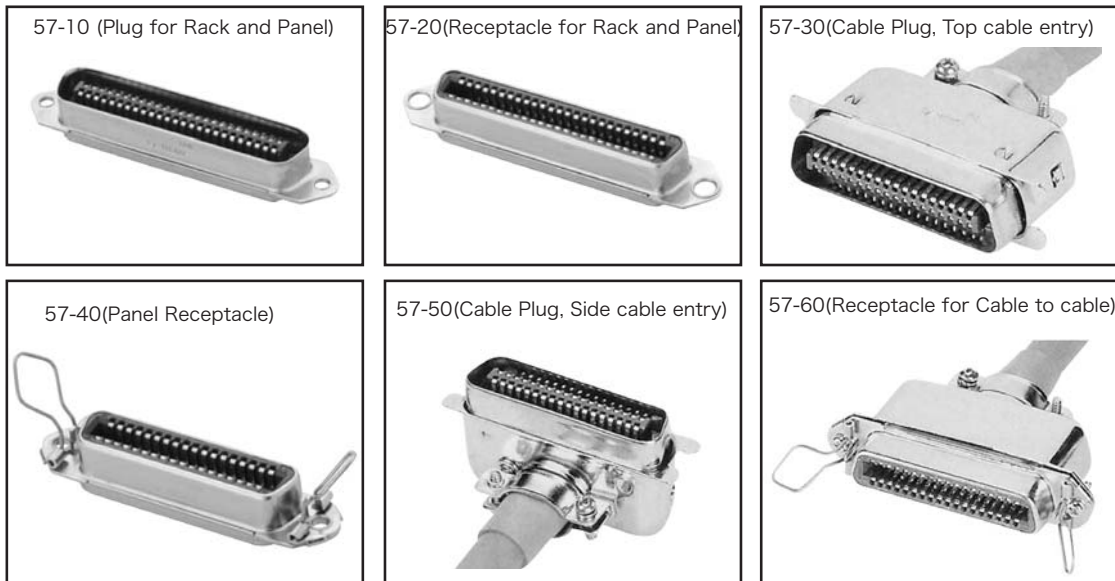


Ribbon Connector

57 Series

DDK Ltd.



FEATURE

- 57 series is ribbon connectors which is available in various mating styles ; rack and panel, cable to panel and PCB mounting types.

SPECIFICATIONS

Rated Voltage	500V AC (r.m.s.)
Rated Current	5A / Contact
Dielectric Withstanding Voltage	1200V AC (r.m.s.) / 1 minute
Insulation Resistance	1000M Ω min. at 500V DC
Contact Resistance	5m Ω max.
Operating Temperature	- 55°C ~ + 105°C
Applicable Cable	AWG#22 (Solid Cable) AWG#24 (Stranded Cable)

Material/ Finish

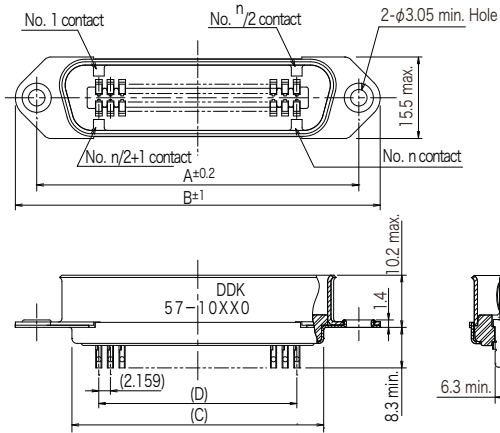


Item	Material / Finish
Insulator	DAP Resin (UL94V-0) / Blue
Contact	Copper Alloy / Au Plating
Shell	Copper Alloy / Ni Plating
Float bushing	Copper Alloy / Ni Plating
Boot	PVC (for 30, 50, 60 Type)

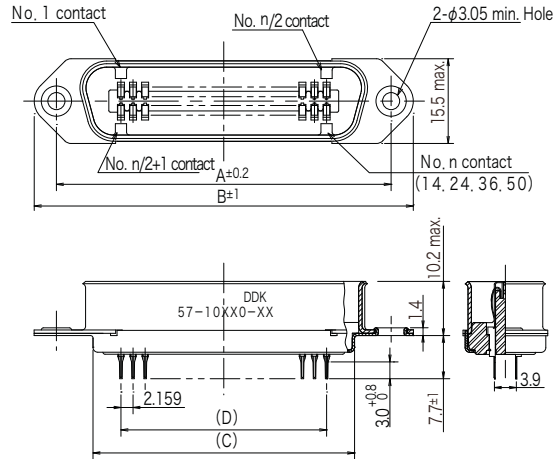
© Specifications and/or dimensions in this catalogue are subject to change without notice.
Your catalogue checking the latest specifications with our drawings would be highly appreciated.

▶ 57-10 Type Plug for Rack and Panel

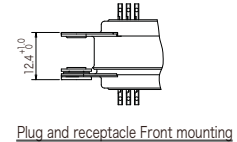
■ Solder Cup Type



■ Solder DIP Type



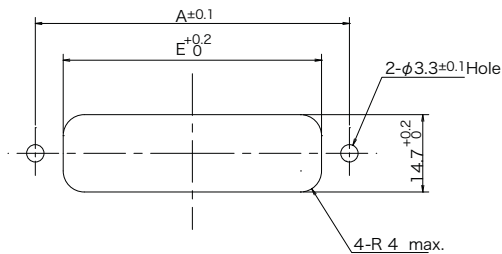
Number of Contact	Part Number		Dimensions			
	Solder Cup	Solder DIP	A	B	C	D
14	57-10140	57-10140-4	36.0	43.9	22.9	12.954
24	57-10240	57-10240-3	46.8	54.7	33.7	23.749
36	57-10360	57-10360-13	59.7	67.7	46.7	36.703
50	57-10500	57-10500-27	74.9	82.8	61.8	51.816



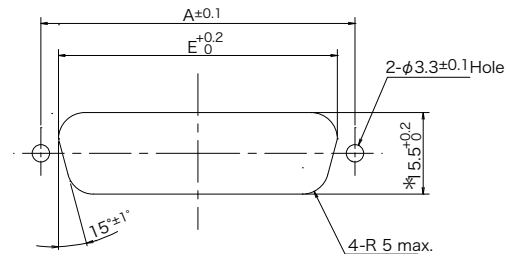
Plug and receptacle Front mounting

■ Panel Mounting Dimensions

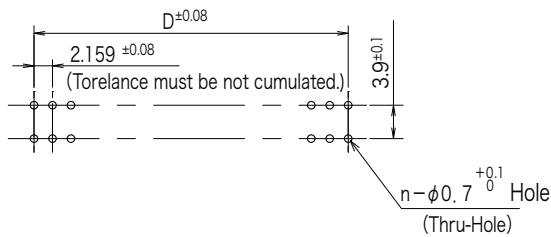
● Front Mounting Type



● Rear Mounting Type



■ PCB Mounting Dimensions (PCB Thickness : 1.6mm)



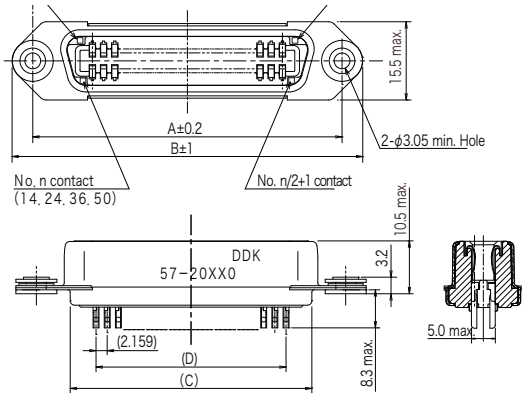
Number of Contact	A	D	E
14	36.0	12.954	29.3
24	46.8	23.749	40.1
36	59.7	36.703	53.0
50	74.9	51.816	68.2

* : When the mating connector is 57FE-10 type, the size is 16.2^{+0.2}₀.

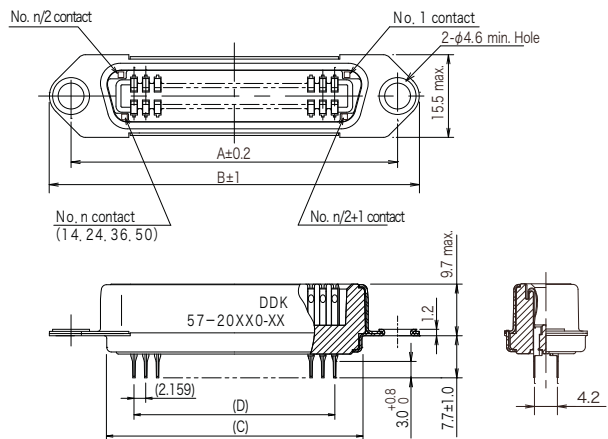
© Specifications and/or dimensions in this catalogue are subject to change without notice.
Your catalogue checking the latest specifications with our drawings would be highly appreciated.

▶ 57-20 Type : Receptacle for Rack and Panel

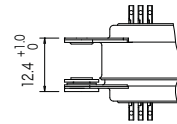
■ Solder Cup Type



■ Solder DIP Type



Number of Contact	Part Number		Dimensions			
	Solder Cup	Solder DIP	A	B	C	D
14	57-20140	57-20140-8	36.0	43.9	22.9	12.954
24	57-20240	57-20240-8	46.8	54.7	33.7	23.749
36	57-20360	57-20360-9	59.7	67.7	46.7	36.703
50	57-20500	57-20500-31	74.9	82.8	61.8	51.816

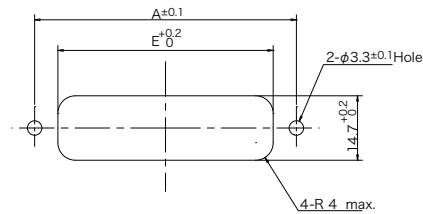


Plug and Receptacle Front Mounting

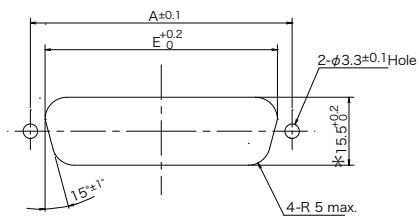
■ Panel Mounting Dimensions

Solder Cup Type

● Front Mounting Type

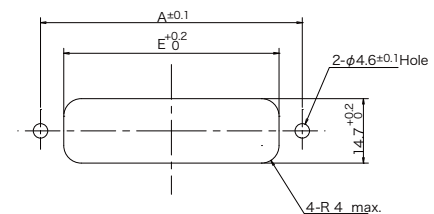


● Rear Mounting Type

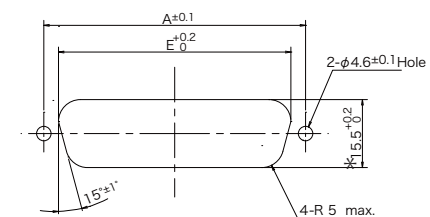


Solder DIP Type

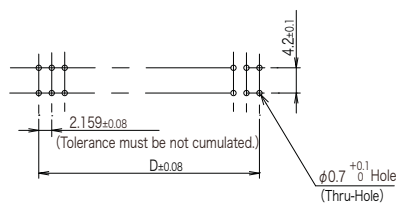
● Front Mounting Type



● Rear Mounting Type



■ PCB Mounting Dimensions (Thickness: 1.6mm)



Number of Contact	A	D	E
14	36.0	12.954	29.3
24	46.8	23.749	40.1
36	59.7	36.703	53.0
50	74.9	51.816	68.2

* : When the mating connector is 57FE-10 type, the size is 16.2^{+0.2}₀.

© Specifications and/or dimensions in this catalogue are subject to change without notice.
Your catalogue checking the latest specifications with our drawings would be highly appreciated.

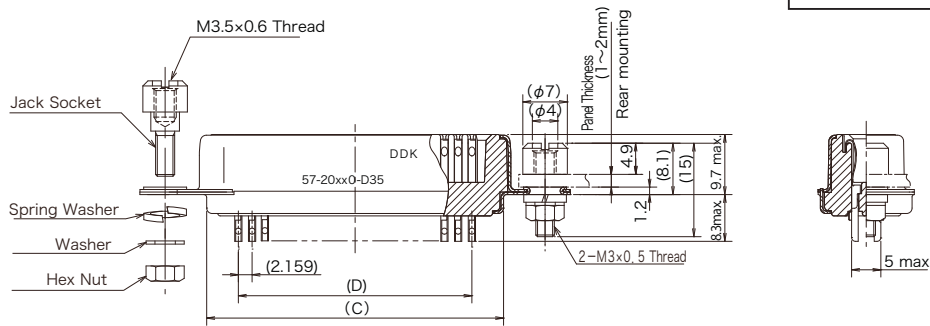
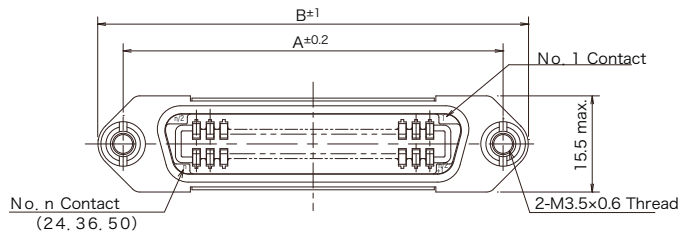
▶ 57-20 Type with Jack Socket

57-20240-D35-CG

Number of Contact : 24, 36, 50

CG : Lead and Cadmium Free

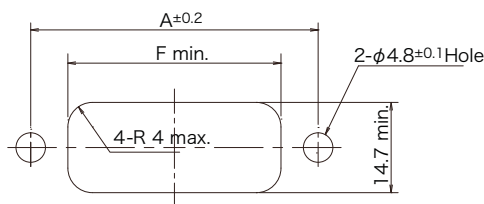
Deviation
D35 : with Jack Socket



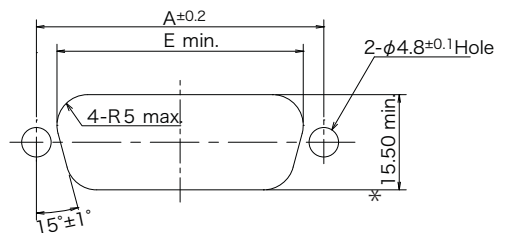
Number of Contact	A	B	C	D
24	46.8	54.7	33.7	23.749
36	59.7	67.7	46.7	36.703
50	74.9	82.8	61.8	51.816

■ Panel Mounting Dimensions

● Front Mounting Type



● Rear Mounting Type

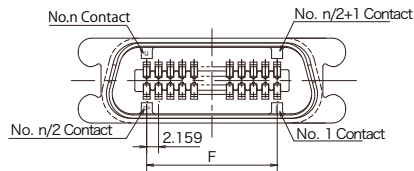
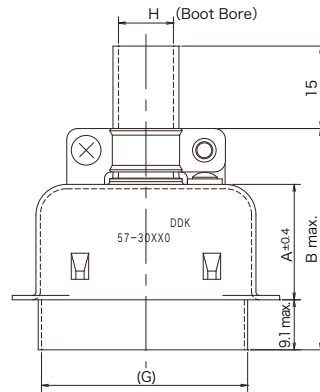
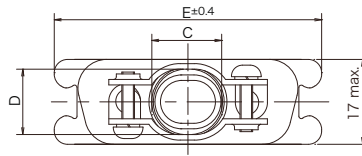
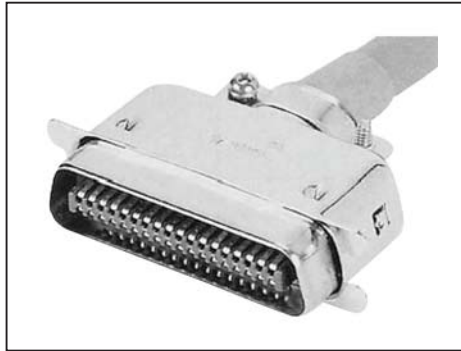


Number of Contact	A	E	F
24	46.8	40.1	36.1
36	59.7	53.0	49.1
50	74.9	68.2	64.1

* : When the mating connector is 57FE-10 type, the size is 16.2^{+0.2}₀.

© Specifications and/or dimensions in this catalogue are subject to change without notice.
Your catalogue checking the latest specifications with our drawings would be highly appreciated.

▶ 57-30 Type : Cable Plug, Top cable entry

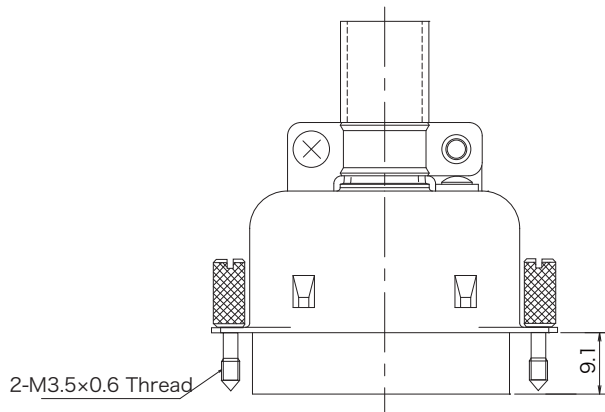


Number of Contact	Part Number (Solder Cup)	A	B	C	D	E	F	G (ref.)	H
14	57-30140	21.4	41.4	8.6	11.8	37.8	12.954	25.5	6.5×9.8
24	57-30240	21.0	41.0	13.2	11.9	48.6	23.749	36.5	11.1×9.8
36	57-30360	23.0	43.0	16.0	11.9	61.6	36.703	49.2	13.9×9.8
50	57-30500	25.4	45.4	19.2	11.9	76.7	51.816	64.3	17.0×9.8

■ with Knuring Screw

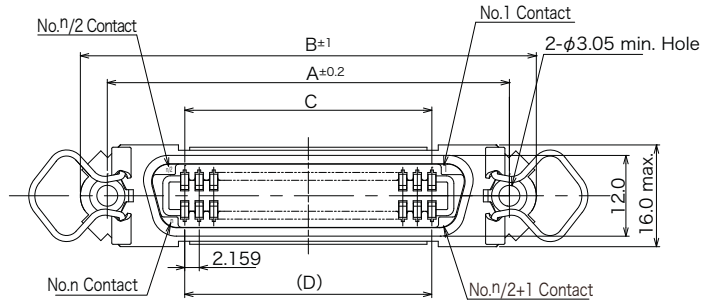
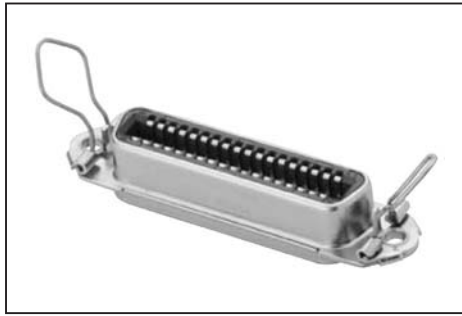
57-30240-D76

Number of Contact : 14, 24, 36, 50

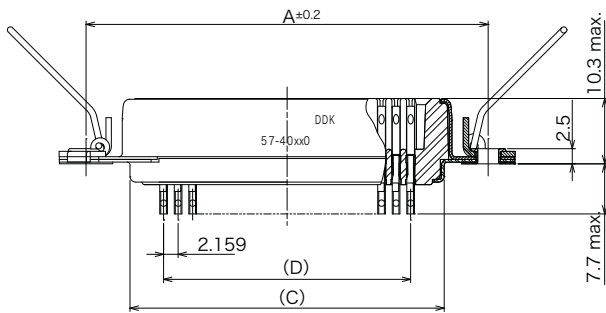


© Specifications and/or dimensions in this catalogue are subject to change without notice.
Your catalogue checking the latest specifications with our drawings would be highly appreciated.

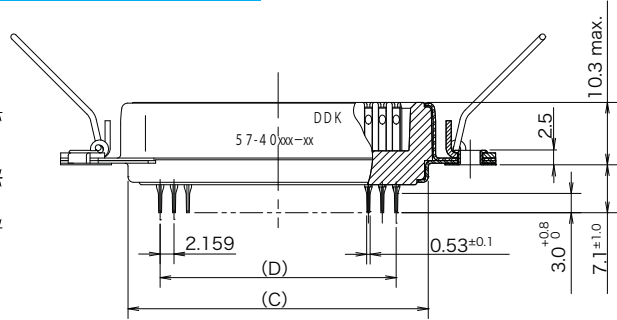
▶ 57-40 Type : Panel Receptacle



■ Solder Cup Type



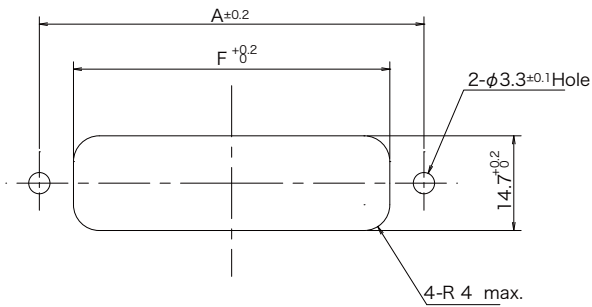
■ Solder DIP Type



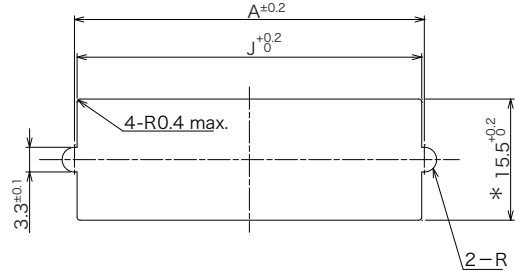
Number of Contact	Part Number		Dimensions			
	Solder Cup	Solder DIP	A	B	C	D
14	57-40140	57-40140-8	36.0	43.9	22.9	12.954
24	57-40240	57-40240-9	46.8	54.7	33.7	23.749
36	57-40360	57-40360-12	59.7	67.7	46.7	36.703
50	57-40500	57-40500-9	74.9	82.8	61.8	51.816

■ Panel Mounting Dimensions

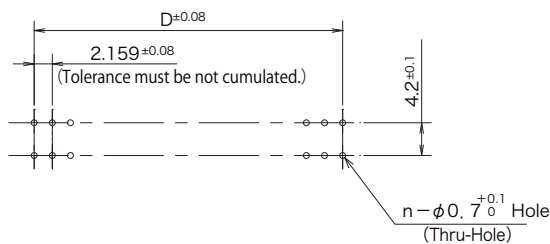
● Front Mounting Type



● Rear Mounting Type



■ PCB Mounting Dimensions (Thickness : 1.6mm)



Number of Contact	A	D	F	J
14	36.0	12.954	23.9	35.30
24	46.8	23.749	34.7	46.08
36	59.7	36.703	47.7	59.04
50	74.9	51.816	62.8	74.15

* : When the mating connector is 57FE-10 type, the size is 16.2^{+0.2}₀.

© Specifications and/or dimensions in this catalogue are subject to change without notice.
Your catalogue checking the latest specifications with our drawings would be highly appreciated.

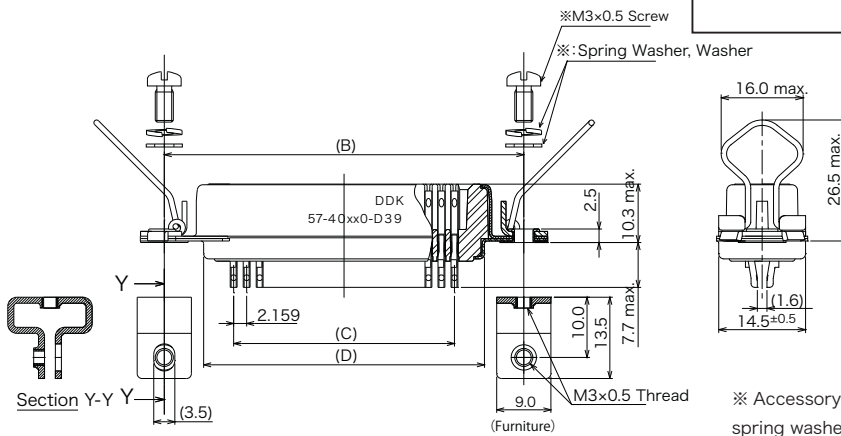
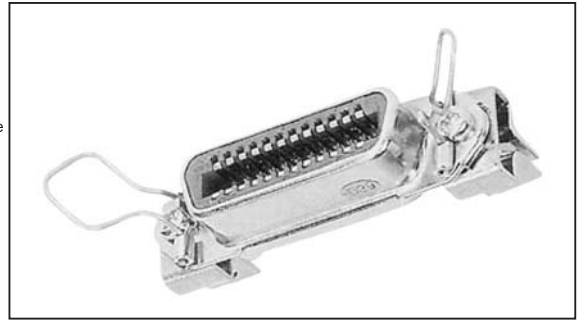
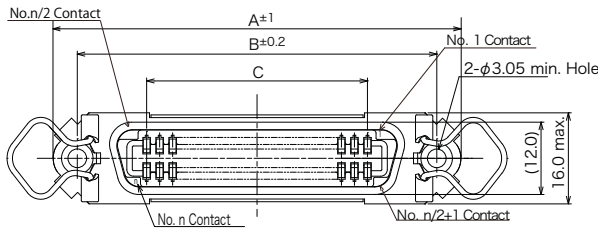
▶ PCB Clip mounting Receptacle

57-40500-D39-3F

Number of Contact : 14, 24, 36, 50

3F : Lead and Hexavalent Chromium Free

Deviation
D39 : PCB Clip mounting Type
with Furniture(M3×0.5 Threaded)

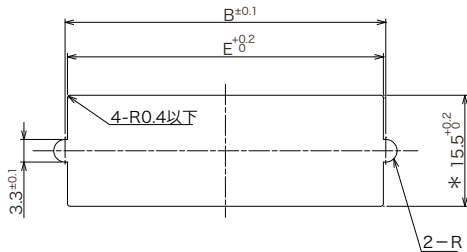


※ Accessory: Only mounting hardware. The pan-head screw, spring washer and washer are procured by customers.

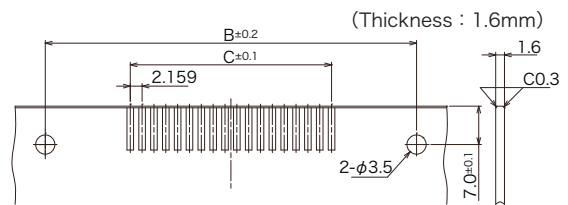
Number of Contact	Dimensions			
	A	B	C	D
14	43.9	36.0	12.954	22.9
24	54.7	46.8	23.749	33.7
36	67.7	59.7	36.703	46.7
50	82.8	74.9	51.816	61.8

■ Panel Mounting Dimensions

● Front Mounting Type



■ PCB Mounting Dimensions



* : When the mating connector is 57FE-10 type, the size is 16.2^{+0.2}₀.

Number of Contact	B	C	E
14	36.0	12.954	35.5
24	46.8	23.749	46.3
36	59.7	36.703	59.2
50	74.9	51.816	74.4

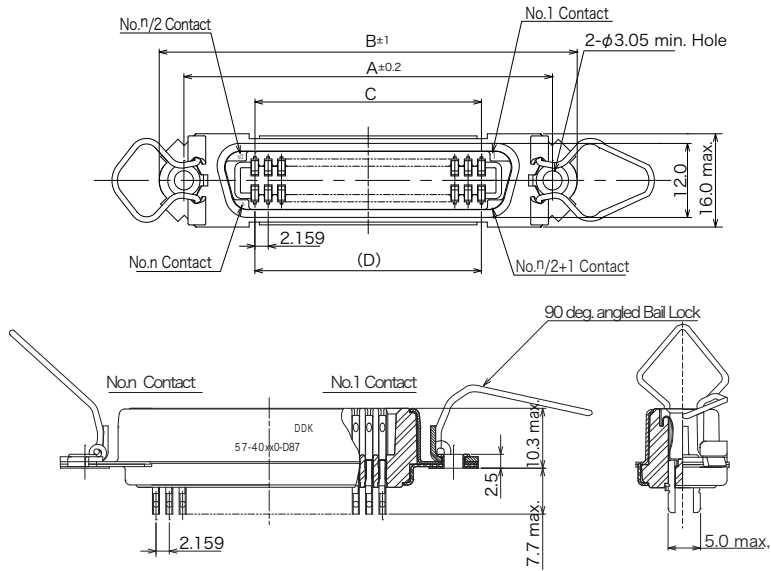
© Specifications and/or dimensions in this catalogue are subject to change without notice.
Your catalogue checking the latest specifications with our drawings would be highly appreciated.

▶ 90 deg. angled Bail Lock

57-40240-D87

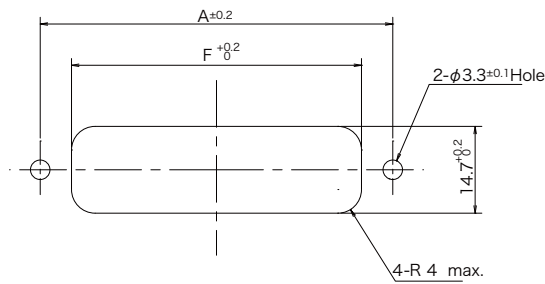
Number of Contact : 14, 24, 36, 50

Deviation
D87 : with 90 deg. angled Bail Lock

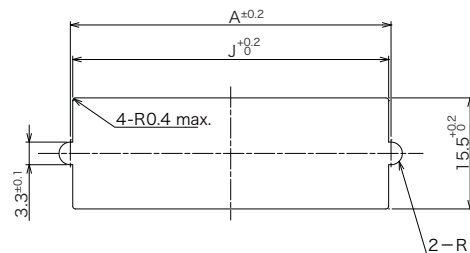


■ Panel Mounting Dimensions

● Front Mounting Type



● Rear Mounting Type (Panel Thickness : 1.6mm max.)*

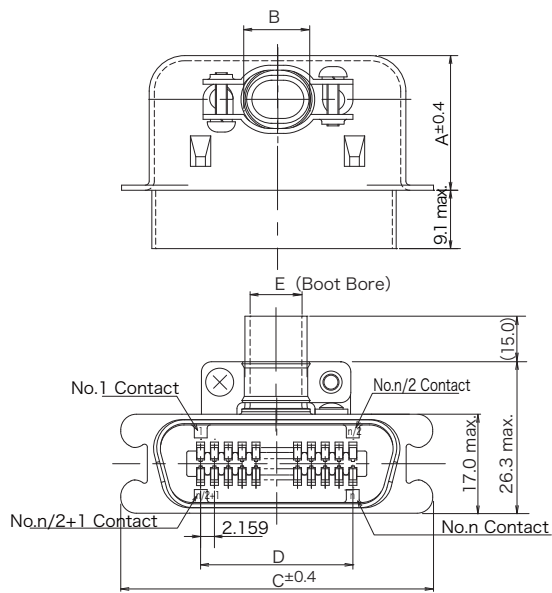


* : When the mating connector is 57FE-10 type, the size is 16.2^{+0.2}₀.

Number of Contact	A	F	J
14	36.0	23.9	35.5
24	46.8	34.7	46.3
36	59.7	47.7	59.2
50	74.9	62.8	74.4

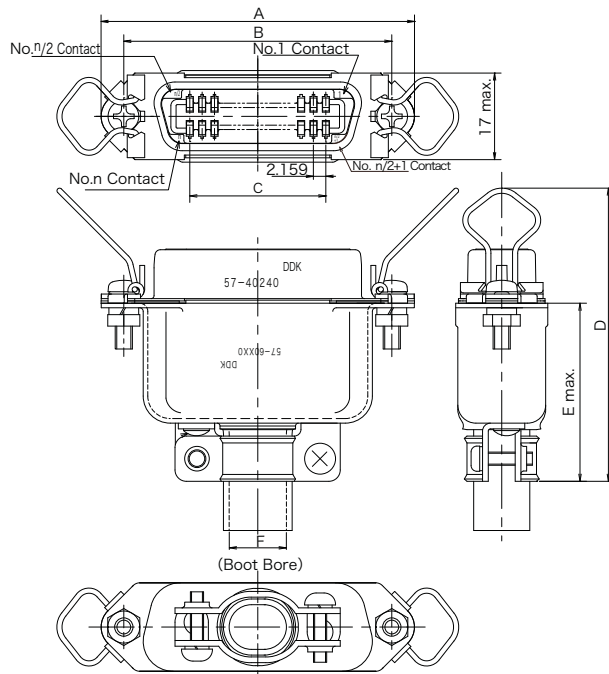
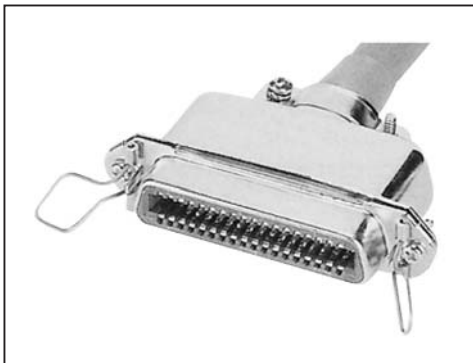
© Specifications and/or dimensions in this catalogue are subject to change without notice.
Your catalogue checking the latest specifications with our drawings would be highly appreciated.

▶ 57-50 Type : Cable Plug, Side cable entry



Number of Contact	Part Number (Solder Cup)	Dimensions				
		A	B	C	D	E
14	57-50140	21.4	8.6×11.8 (oval)	37.8	12.954	6.5×9.8
24	57-50240	21.0	13.2×11.9 (oval)	48.6	23.749	11.1×9.8
36	57-50360	23.0	16.0×11.9 (oval)	61.6	36.703	13.9×9.8
50	57-60500	25.4	19.2×11.9 (oval)	76.7	51.816	17.0×9.8

▶ 57-60 Type : Receptacle for Cable



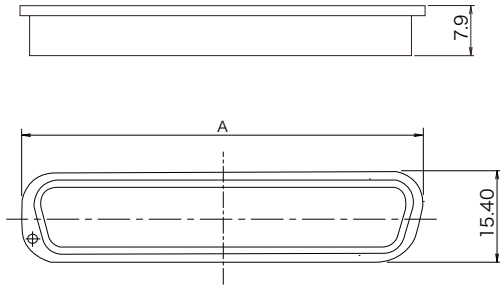
Number of Contact	Part Number (Solder Cup)	Dimensions					
		A	B	C	D	E	F
14	57-60140	43.9	36.0	12.954	56.7	32.5	6.5×9.8
24	57-60240	54.7	46.8	23.749	56.2	32.1	11.1×9.8
36	57-60360	67.7	59.7	36.703	58.2	34.1	13.9×9.8
50	57-60500	82.8	74.9	51.816	60.5	36.5	17.0×9.8

© Specifications and/or dimensions in this catalogue are subject to change without notice.
 Your catalogue checking the latest specifications with our drawings would be highly appreciated.

▶ Dust Cover

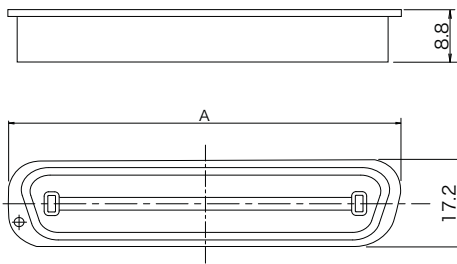
- Material : Polythene (PE) / Blue (for Plug), Red (for Receptacle)

for Plug (57-10,57-30,57-50)



Number of Contact	Part Number	A
14	57-14P	29.6
24	57-24P	40.4
36	57-36P	53.2
50	57-50P	68.6

for Receptacle (57-20, 57-40, 57-60)

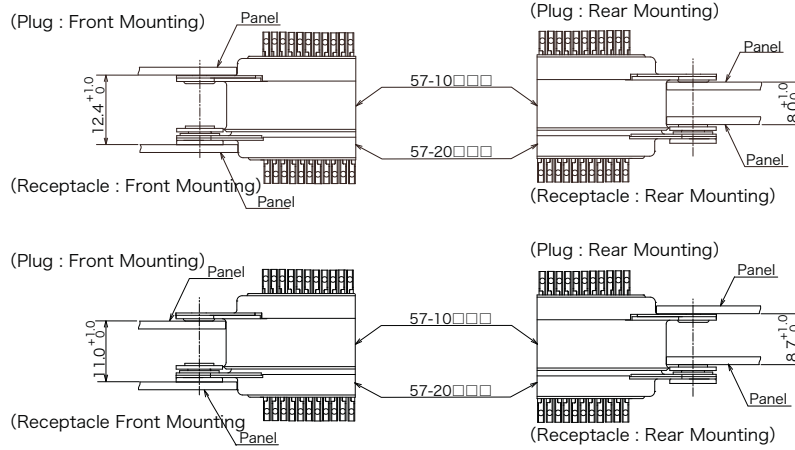


Number of Contact	Part Number	A
14	57-14S	30.0
24	57-24S	42.0
36	57-36S	53.8
50	57-50S	69.0

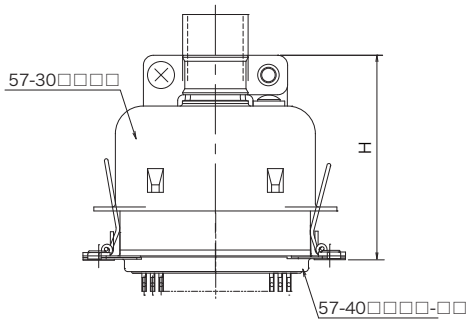
▶ 57 series mating distance

● 57-10 /57-20

• The mating distance between panels are different to the mounting position.

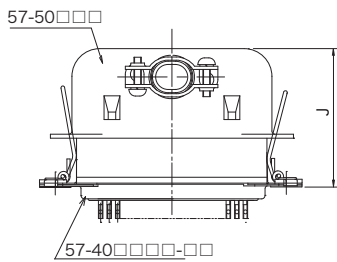


● 57-30 /57-40



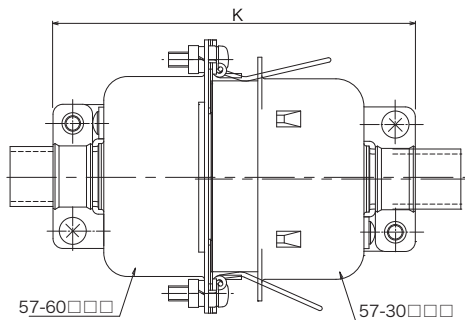
Number of contact	H
14	42.5
24	42.0
36	44.0
50	46.7

● 57-40 / 57-50



Number of Contact	J
14	32.5
24	32.0
36	34.0
50	36.5

● 57-30 / 57-60



Part Number	Receptacle		Plug Part Number
	Number of Contact	K	
57-60140	14	74.0	57-30140
57-60240	24	73.1	57-30240
57-60360	36	77.7	57-30360
57-60500	50	81.9	57-30500

© Specifications and/or dimensions in this catalogue are subject to change without notice.
Your catalogue checking the latest specifications with our drawings would be highly appreciated.