



KCS2800 UNIVERSAL EMC BACKSHELLS COMMON SIZES AVAILABLE EX-STOCK

- Accommodate a variety of cable sizes in one backshell
- Economically priced
- Ex-stock range of common sizes
- Lightweight and compact
- Suitable for all standard circular connectors
- High levels of EMC performance
- Provides overall and individual screening
- Backshell body teeth mesh with connector teeth for positive lock.
- Blind teeth for increased EMC screening capability
- Quick assembly with no special tooling
- Totally reworkable assembly
- Heat shrink boot lip for additional environmental sealing options.

The **KCS2800** series is the universal EMC backshell option for standard circular connectors. Available ex-stock in the most common sizes and platings this highly cost-effective backshell still provides the traditional KEC high levels of EMC protection with both overall and individual screening or both.

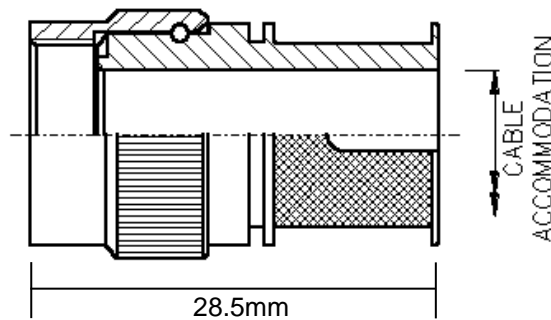
Ensuring the correct cable entry size leads to an infinite number of options for backshells and makes them very hard to obtain ex-stock. The **KCS2800** incorporates the unique KEC slot and braid system. This enables each backshell to accommodate a wide range of different cable sizes (see Table 2 overleaf). The result is a short, compact, lightweight backshell providing cost-effective 360° EMC screening for a variety of defence, aerospace and rail applications together with many more general commercial and industrial uses. For environmental sealing or angled cable entry just add a heatshrink boot.

The **KCS2800** will suit many applications and for more complex design requirements the **KC2000** range consists of eight individual backshell products with a solution for every type of EMC and environmental application.

KEC Limited is an EMC interconnect specialist that manufactures and supplies a wide range of circular and D-Type backshells, bulkhead/panel glands, conduit and conduit fittings. See our website for more details.

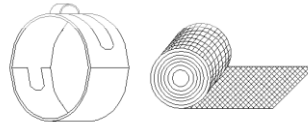
KCS2800

UNIVERSAL BACKSHELL ACCOMODATES MANY DIFFERENT CABLE SIZES WITH EACH SHELL SIZE



See Table 2

REWORKABLE BAND CLAMP & BRAID FOR INDIVIDUAL AND OVERALL SCREEN TERMINATION



EXAMPLE PART NUMBER

KCS2801 - 32 - 13W



TABLE 1

SERIES CODE	CONNECTOR TYPE (TYPICAL)	SHELL SIZE
22	MIL-C-26482 SERIES 1 PAT 105, 608 & 603	08 - 24
26	MIL-C-38999 SERIES 1 & 2 PAT 614 & 616 PAN 6433-1	08 - 24
28	MIL-C-83723 SERIES 1 & 3 MIL-C-26482 SERIES 2 PAT 602 & PAN 6432-1 & -4	08 - 24
32	MIL-C-38999 SERIES 3 & 4 METRIC THREAD (EN3645)	09 - 25
38	PAN 6433-2 LN29729	08 - 24

TABLE 2

SHELL SIZE	MAXIMUM CABLE ACCOMODATION
08/09	7.5
10/11	9.3
12/13	12.7
14/15	14.4
16/17	17.8
18/19	19.6
20/21	24.1
22/23	27.0
24/25	29.2

TABLE 3

CODE	DESCRIPTION
G	BLACK ZINC NICKEL
J	ELECTROLESS NICKEL
W	CADMIUM + OLIVE DRAB
Z	ZINC COBALT + OLIVE DRAB

THE UNIVERSAL KCS2800 SERIES PROVIDES 360° EMC TERMINATION FOR MANY APPLICATIONS
A variety of EMC screening and environmental sealing options are available across the KC2000 range

- Please visit www.kec.co.uk to see our complete backshell range or call to discuss specific requirements -

08/18

KEC LIMITED

Orpheus House, Calleva Park, Aldermaston, Reading, Berkshire RG7 8TA England
Tel: +44 (0)118 981 1571 Fax: +44 (0)118 981 1570 email: sales@kec.co.uk www.kec.co.uk