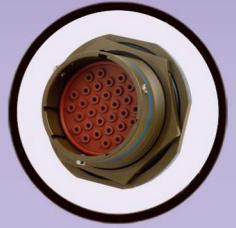
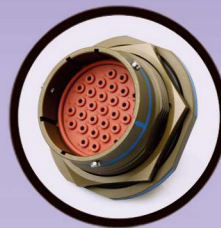




YH series

26482 II Style Connector
ISO 9001 / ISO14001





Introduction

개요 (Overview)

5

품명구성 (Ordering Information)

6

기술적 정보 (Technical Data)

7

26482 Series II Style Connector

26482 II Style (Crimp Type)

Narrow Flange Receptacle (YH3470)

8

Cable Connecting Receptacle (YH3471)

8

Wide Flange Receptacle (YH3472)

9

Rear Mounting Jam Nut Receptacle (YH3474)

9

Straight Plug, RFI Shielded (YH3475)

10

Straight Plug (YH3476)

10

Sealing Plug/ Contacts/ Insertion/Removal Tools

11

26482 II Style (Panel Cutouts)

Mounting Receptacle

12

Jam Nut Receptacle

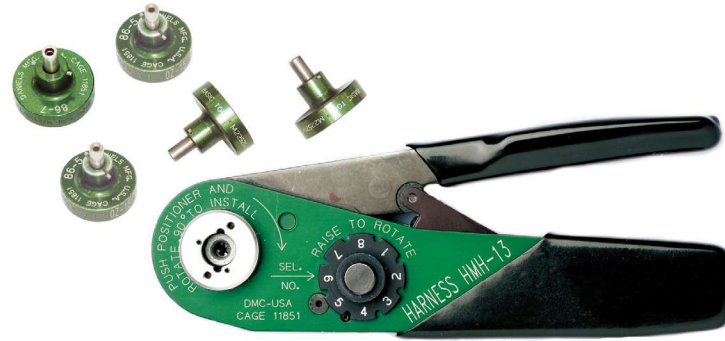
12

26482 II Style 절연체 회전위치 (Alternate Insert Position)

13

26482 II Style 접점 배열도 (Contact Arrangements)

14



개요 (Overview)

26482 Series II Style 계열의 커넥터는 당사의 축적된 기술로 개발된 커넥터입니다. Bayonet Coupling 방식으로써 전기, 기계 및 환경적 특성이 우수하여 고도의 신뢰가 요구되는 항공장비 및 미사일 첨단통신장비 등에 널리 사용되고 있습니다. 특히 EMI 차폐성능이 탁월하여 전자파 방해를 완벽히 차단시키므로 전혀 외부간섭을 받지 않고 정확한 시그널라인을 구축할 수 있는 것이 장점입니다. 또한 케이블 작업 시 간단한 Crimp Tool로 결선이 가능하므로 납땜 작업 시 발생할 수 있는 불량을 방지할 수 있고 작업시간의 단축이 큰 장점입니다.

The 26482 Series II Style connectors were developed based on years of our company's technological skills. These connectors use the Bayonet Coupling method, which have an excellent electrical, mechanical, and environmental characteristic. Therefore it is widely applied in fields that require the highest reliability such as aviation equipment and state-of-the-art missile communication tools. In particular, the EMI screening ability is excellent and can completely isolate electromagnetic waves which in turn can establish an accurate signal line without external interference. Also, when working with cables wiring is possible using a simple Crimp Tool. Thus, the distinctive features are that it can prevent defects during soldering and reduce the work time on the job.



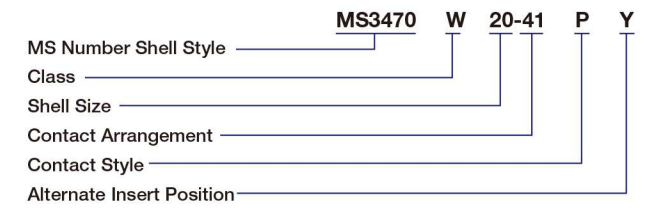
YH series

26482 Series II Style Connector
ISO9001/ISO14001



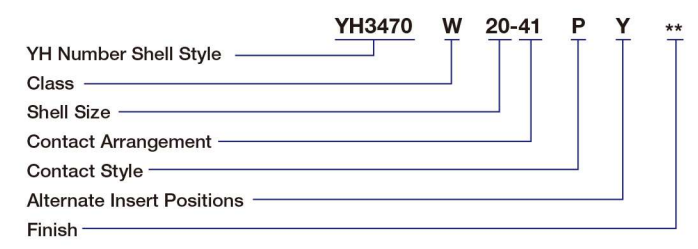
품명구성 (Ordering Information)

Military Nomenclature



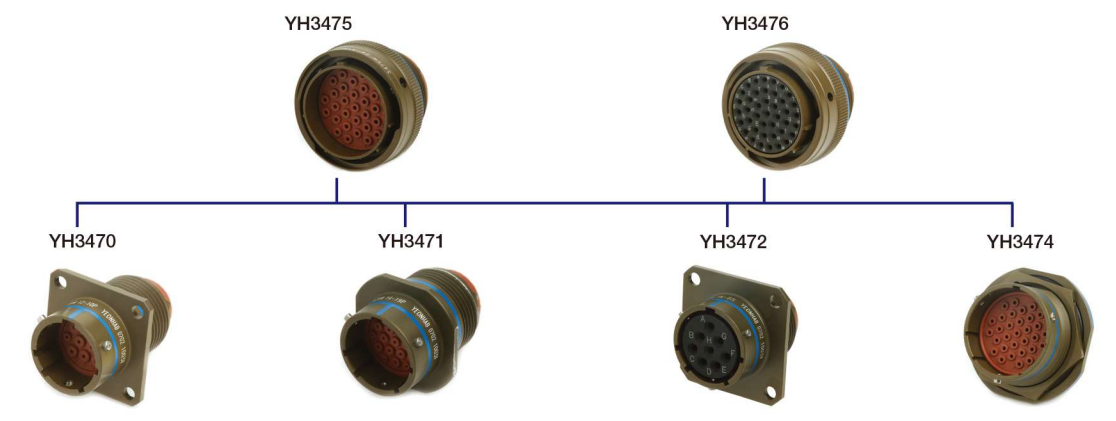
- MS Number Shell Style**
MS3470 - Narrow Flange Receptacle
MS3471 - Cable Connecting Receptacle
MS3472 - Wide Flange Receptacle
MS3474 - Jam Nut Receptacle
MS3475 - Straight Plug, RFI Shielded
MS3476 - Straight Plug
- Class**
A - Fluid Resistant, 200°C Non-Conductive (Anodized)
L - Fluid Resistant, 200°C Conductive (Electroless Nickel Plate)
W - Corrosive and Fluid Resistant, 175°C (Olive drab Cadmium over Nick Plate)
- Shell Size**
8, 10, 12, 14, 16, 18, 20, 22, 24
- Contact Arrangement**
MIL-STD-1669
- Contact Style**
P - Pin
S - Socket
- Alternate Insert Positions**
N (Normal), W, X, Y, Z (MIL-STD-1669)

Yeonhab Nomenclature



- YH Number Shell Style**
YH3470 - Narrow Flange Receptacle
YH3471 - Cable Connecting Receptacle
YH3472 - Wide Flange Receptacle
YH3474 - Jam Nut Receptacle
YH3475 - Straight Plug, RFI Shielded
YH3476 - Straight Plug
- Class**
A - Fluid Resistant, 200°C Non-Conductive (Anodized)
L - Fluid Resistant, 200°C Conductive (Electroless Nickel Plate)
W - Corrosive and Fluid Resistant, 175°C (Olive drab Cadmium over Nick Plate)
- Shell Size**
8, 10, 12, 14, 16, 18, 20, 22, 24
- Contact Arrangement**
MIL-STD-1669 - see page 12
- Contact Style**
P - Pin
S - Socket
- Alternate Insert Positions**
N (Normal), W, X, Y, Z (MIL-STD-1669) - see page 11
- Finish**
Blank - Class(A, L, W)에 따른 도금.
04 - Black Zinc Cobalt Plate

결합안내 (Mating Face View)



기술적 정보 (Technical Data)

표준 재질 및 보호피막 (Standard Materials and Finishes)

Description	Materials	Finishes
몸체, 연결너트, 잼 너트 (Shell, Coupling Nut, Jam Nut)	Aluminium alloy	Electroless nickel per MIL-L-26074 Anodized per MIL-A-8625 or olive drab cadmium, over Nickel or Zinc over Nickel
절연체 (Insulators)	Rigid Dielectric	-
절연체 가스켓 및 그로멧, 오링 (Grommets, interfacial and O-ring Seals)	Silicone Rubber or Fluorosilicone Rubber	-
접점 (contacts)	Copper alloy	Gold plate per MIL-G-45204

전기적 특성 (Electrical Data)

Contact size	AWG wire size	Insulation O.D. Limits (mm)		Max Current For Test (amps)	Potential Drop (Millivolts at 25°C)
		Min	Max		
12	12	2.46	4.01	23	50
	14				
16	16	1.53	2.62	13	50
	20				
20	20	1.02	2.11	7.5	55
	24				
				3.0	45

Service Rating	Operating Voltage	Dielectric Withstanding Voltage (Test Voltage), AC (rms), 60cps			
	Max. AC (rms)	Sea Level	50,000 (ft)	70,000 (ft)	110,000 (ft)
I	600	1500	500	375	200
II	1000	2300	750	500	200

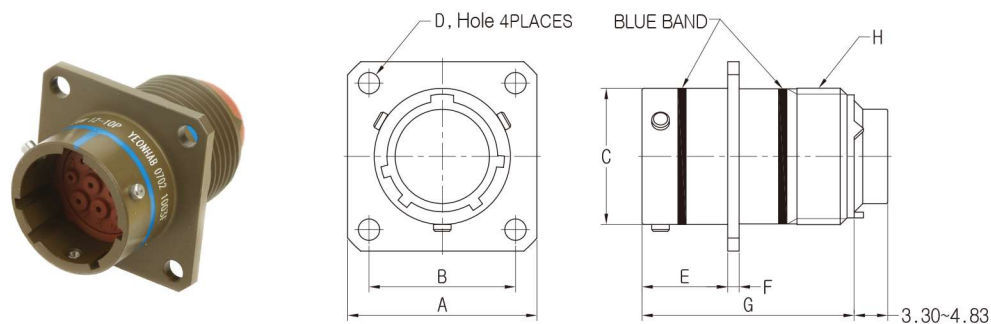
사용 온도 범위 (Operating Temperature Range)	-55°C ~ +200°C
절연저항 (Insulation Resistance)	5000MΩ Min (at 25°C)
내구성 (Durability)	500 cycle, mate and unmate

26482 Series II Style (Crimp Type)

Narrow Flange Mount Receptacle (MS3470)

YH3470

Bayonet Type



UNIT: mm

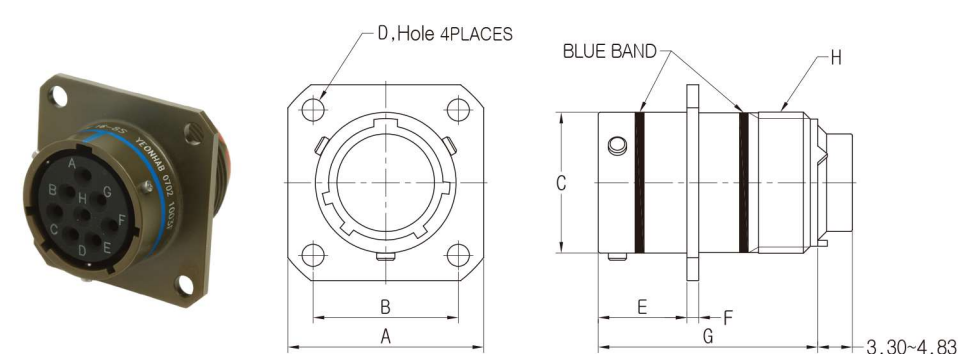
Shell Size	A Max.	B ±0.10	C Dia. +0.00 -0.15	D Dia.	E	F	G Max.	H Thread. (Class : 2A)
8	21.03	15.08	12.04	3.05	10.95~11.73	1.17~1.98	30.86	1/2-20UNF
10	24.23	18.26	15.01	3.05	10.95~11.73	1.17~1.98	30.86	5/8-24UNEF
12	26.59	20.62	19.08	3.05	10.95~11.73	1.17~1.98	30.86	3/4-24UNEF
14	28.98	23.01	22.25	3.05	10.95~11.73	1.17~1.98	30.86	7/8-20UNEF
16	31.34	24.61	25.43	3.05	10.95~11.73	1.17~1.98	30.86	1-20UNEF
18	33.73	26.97	28.60	3.05	10.95~11.73	1.17~1.98	30.86	1 1/16-18UNEF
20	36.91	29.36	31.78	3.05	14.12~14.91	1.98~2.79	32.39	1 3/16-18UNEF
22	40.08	31.75	34.95	3.05	14.12~14.91	1.98~2.79	32.39	1 5/16-18UNEF
24	43.26	34.93	38.13	3.73	14.96~15.75	1.98~2.79	32.39	1 7/16-18UNEF

26482 Series II Style (Crimp Type)

Wide Flange Mounting Receptacle (MS3472)

YH3472

Bayonet Type



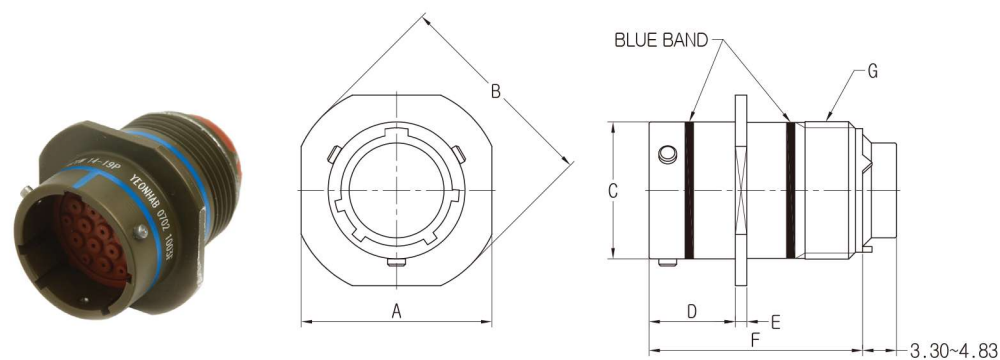
UNIT: mm

Shell Size	A Max.	B ±0.10	C Dia. +0.00 -0.15	D Dia.	E	F	G Max.	H Thread. (Class : 2A)
8	27.05	18.64	12.04	3.81	11.73~12.52	1.17~1.98	30.86	1/2-20UNF
10	28.98	20.62	15.01	3.81	11.73~12.52	1.17~1.98	30.86	5/8-24UNEF
12	32.16	23.83	19.08	3.81	11.73~12.52	1.17~1.98	30.86	3/4-24UNEF
14	34.54	26.19	22.25	3.81	11.73~12.52	1.17~1.98	30.86	7/8-20UNEF
16	36.91	28.58	25.43	3.81	11.73~12.52	1.17~1.98	30.86	1-20UNEF
18	38.91	30.56	28.60	3.81	11.73~12.52	1.17~1.98	30.86	1 1/16-18UNEF
20	42.88	32.94	31.78	3.81	14.12~14.91	1.98~2.79	32.39	1 3/16-18UNEF
22	44.86	34.93	34.95	3.81	14.12~14.91	1.98~2.79	32.39	1 5/16-18UNEF
24	48.03	38.10	38.13	3.81	14.96~15.75	1.98~2.79	32.39	1 7/16-18UNEF

Cable Connecting Receptacle (MS3471)

YH3471

Bayonet Type



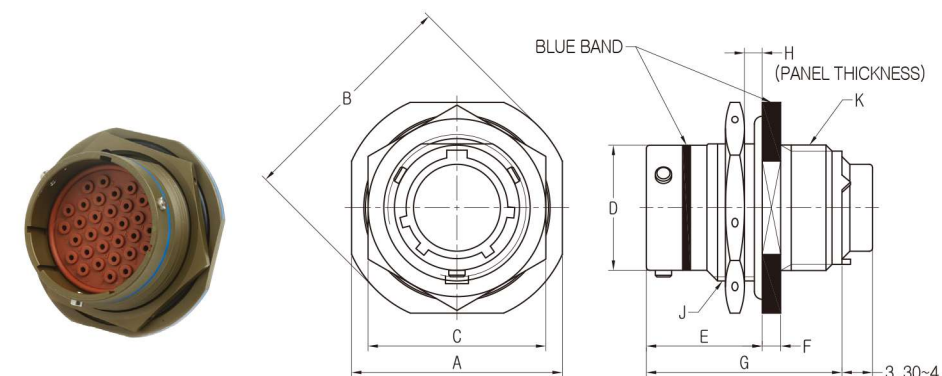
UNIT: mm

Shell Size	A Max.	B Dia.	C Dia. +0.00 -0.15	D	E	F Max.	G Thread. (Class : 2A)
8	21.03	23.33~24.33	12.04	10.95~11.73	1.17~1.98	30.86	1/2-20UNF
10	24.23	26.47~27.48	15.01	10.95~11.73	1.17~1.98	30.86	5/8-24UNEF
12	26.59	28.85~29.87	19.08	10.95~11.73	1.17~1.98	30.86	3/4-24UNEF
14	28.98	31.24~32.26	22.25	10.95~11.73	1.17~1.98	30.86	7/8-20UNEF
16	31.34	33.63~34.65	25.43	10.95~11.73	1.17~1.98	30.86	1-20UNEF
18	33.73	36.02~37.03	28.60	10.95~11.73	1.17~1.98	30.86	1 1/16-18UNEF
20	36.91	39.17~40.18	31.78	14.12~14.91	1.98~2.79	32.39	1 3/16-18UNEF
22	40.08	42.37~43.38	34.95	14.12~14.91	1.98~2.79	32.39	1 5/16-18UNEF
24	43.26	45.52~46.53	38.13	14.96~15.75	1.98~2.79	32.39	1 7/16-18UNEF

Rear Mounting Jam Nut Receptacle (MS3474)

YH3474

Bayonet Type



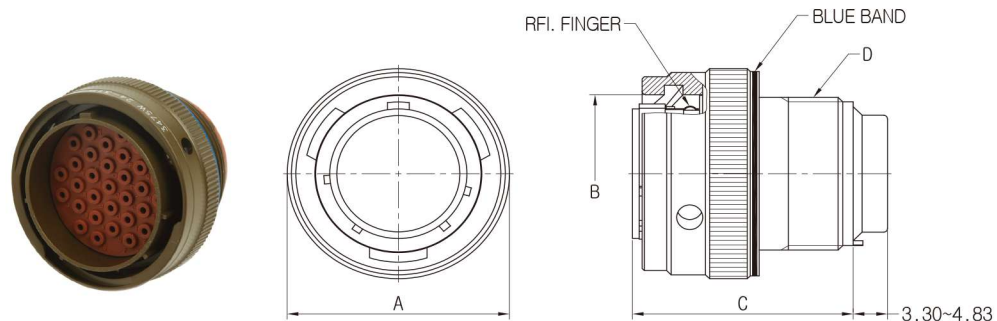
UNIT: mm

Shell Size	A Max.	B Dia.	C	D Dia. +0.00 -0.15	E	F	G Max.	H	J Thread. (Class : 2A)	K Thread. (Class : 2A)
8	23.44~24.23	26.59~27.38	19.48	12.04	16.71~17.95	2.19~2.87	30.86	1.57~4.75	9/16-24UNEF	1/2-20UNF
10	26.59~27.38	29.77~30.56	22.66	15.01	16.71~17.95	2.19~2.87	30.86	1.57~4.75	11/16-24UNEF	5/8-24UNEF
12	32.16~31.37	34.54~35.33	27.41	19.08	16.71~17.95	2.19~2.87	30.86	1.57~4.75	7/8-20UNEF	3/4-24UNEF
14	35.33~34.54	37.72~38.58	30.61	22.25	16.71~17.95	2.19~2.87	30.86	1.57~4.75	1-20UNEF	7/8-20UNEF
16	37.72~38.51	40.89~41.68	33.76	25.43	16.71~17.95	2.19~2.87	30.86	1.57~4.75	1 1/8-18UNEF	1-20UNEF
18	40.89~41.68	44.07~44.86	36.96	28.60	16.71~17.95	2.19~2.87	30.86	1.57~4.75	1 1/4-18UNEF	1 1/16-18UNEF
20	45.64~46.43	48.84~49.63	40.11	31.78	18.31~19.61	2.44~3.76	32.39	1.57~6.35	1 3/8-18UNEF	1 3/16-18UNEF
22	48.84~49.63	51.99~52.78	43.81	34.95	18.31~19.61	2.44~3.76	32.39	1.57~6.35	1 1/2-18UNEF	1 5/16-18UNEF
24	51.99~52.78	55.17~55.96	46.46	38.13	18.31~19.61	2.44~3.76	32.39	1.57~6.35	1 5/8-18UNEF	1 7/16-18UNEF

26482 Series II Style (Crimp Type)

Straight Plug, RFI Shielded (MS3475)

YH3475
(RFI Ground finger type)
Bayonet Type

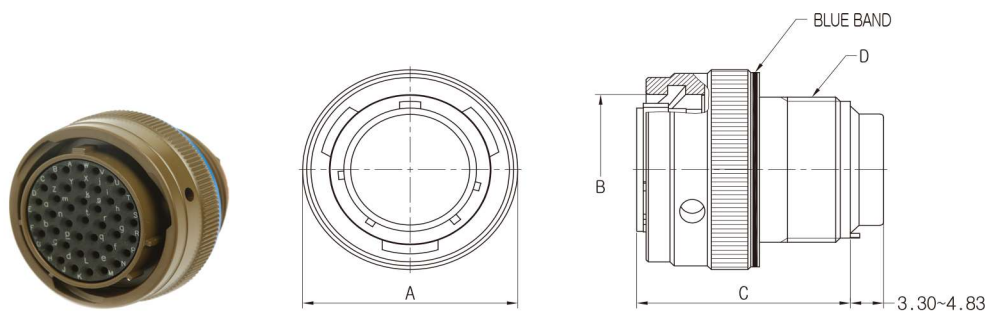


UNIT: mm

Shell Size	A Dia. Max.	B Dia.	C Max.	D Thread. (Class : 2A)
8	19.86	12.19~12.34	31.24	1/2-20UNF
10	23.52	15.27~15.42	31.24	5/8-24UNEF
12	26.49	19.30~19.46	31.24	3/4-24UNEF
14	30.04	22.45~22.61	31.24	7/8-20UNEF
16	33.15	25.63~25.78	31.24	1-20UNEF
18	35.33	28.83~28.98	31.24	1 1/16-18UNEF
20	38.89	31.98~32.13	31.24	1 3/16-18UNEF
22	42.06	35.15~35.31	31.24	1 5/16-18UNEF
24	45.14	38.33~38.48	31.24	1 7/16-18UNEF

Straight Plug (MS3476)

YH3476
Bayonet Type



UNIT: mm

Shell Size	A Dia. Max.	B Dia.	C Max.	D Thread. (Class : 2A)
8	19.86	12.19~12.34	31.24	1/2-20UNF
10	23.52	15.27~15.42	31.24	5/8-24UNEF
12	26.49	19.30~19.46	31.24	3/4-24UNEF
14	30.04	22.45~22.61	31.24	7/8-20UNEF
16	33.15	25.63~25.78	31.24	1-20UNEF
18	35.33	28.83~28.98	31.24	1 1/16-18UNEF
20	38.89	31.98~32.13	31.24	1 3/16-18UNEF
22	42.06	35.15~35.31	31.24	1 5/16-18UNEF
24	45.14	38.33~38.48	31.24	1 7/16-18UNEF

26482 Series II Style (Crimp Type)

Sealing Plug



Contact Size	MS Part Number	Color Code
20	MS27488-20	Red
16	MS27488-16	Blue
12	MS27488-12	Yellow

Insertion / Removal Tools



Contact Size	Color Code	Part Number
20	Red/White	M81969/14-11
16	Blue/White	M81969/14-03
12	Yellow/White	M81969/14-04

Contacts



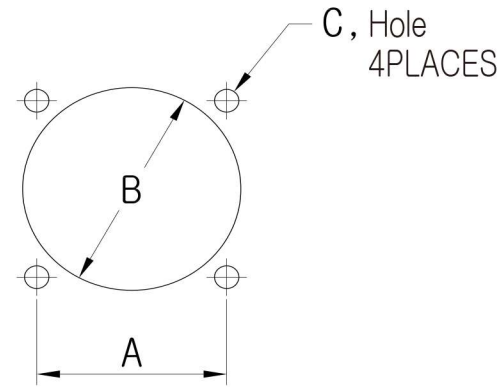
Contact Size	Wire Range		Pin Contact MS Part Number	Socket Contact MS Part Number
	AWG	mm ²		
20	20 ~ 24	0.2 ~ 0.6	M39029/4-110	M39029/5-115
16	16 ~ 20	0.5 ~ 1.4	M39029/4-111	M39029/5-116
12	12 ~ 14	2.0 ~ 3.0	M39029/4-113	M39029/5-118

Crimping Tools



Contact Size	Wire Range		Finished Wire Dia. Range		Crimping tool Part Number	Turret or Positioner Part Number
	AWG	mm ²	Inch	mm		
20	20 ~ 24	0.2 ~ 0.6	.040 ~ .083	1.02 ~ 2.11	M22520/1-01 or M22520/2-01	M22520/1-02 or M22520/2-02
16	16 ~ 20	0.5 ~ 1.4	.053 ~ .103	1.34 ~ 2.62	M22520/1-01	M22520/1-02
12	12 ~ 14	2.0 ~ 3.0	.097 ~ .158	2.46 ~ 4.01	M22520/1-01	M22520/1-02

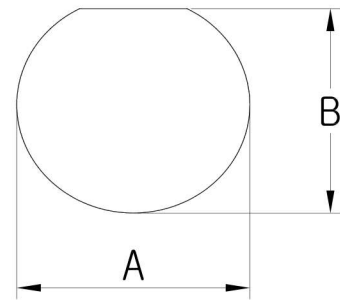
Mounting Receptacle



UNIT: mm

Shell Size	Narrow Flange Mounting			Wide Flange Mounting		
	A	B Dia.	C Dia.	A ±0.10	B Dia.	C Dia.
8	14.96~15.21	14.30~14.55	2.79~3.30	18.64	14.30~14.55	3.56~4.06
10	18.14~18.39	17.27~17.53	2.79~3.30	20.62	17.27~17.53	3.56~4.06
12	20.50~20.75	21.82~22.07	2.79~3.30	23.83	21.82~22.07	3.56~4.06
14	22.89~23.14	24.99~25.25	2.79~3.30	26.19	24.99~25.25	3.56~4.06
16	24.49~24.74	28.14~28.40	2.79~3.30	28.58	28.14~28.40	3.56~4.06
18	26.85~27.10	31.32~31.57	2.79~3.30	30.56	31.32~31.57	3.56~4.06
20	29.24~29.49	34.49~34.75	2.79~3.30	32.94	34.49~34.75	3.56~4.06
22	31.62~31.88	37.67~37.92	2.79~3.30	34.93	37.67~37.92	3.56~4.06
24	34.80~35.05	40.89~41.15	3.48~3.99	38.10	40.89~41.15	3.56~4.06

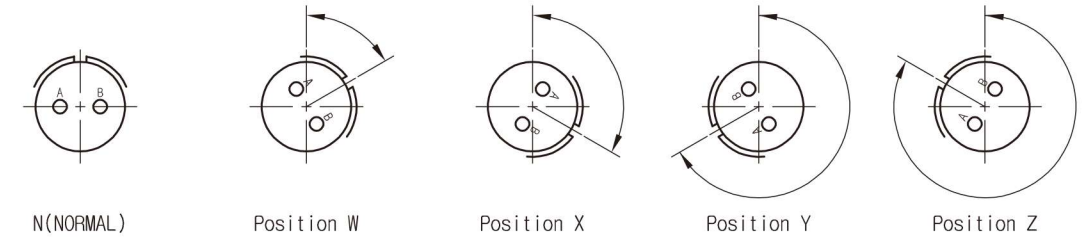
Jam Nut Receptacle



UNIT: mm

Shell Size	A Dia. ±0.13	B ±0.13
8	14.53	13.61
10	17.70	16.79
12	22.73	20.93
14	25.65	24.08
16	28.33	27.23
18	32.00	30.40
20	35.18	33.58
22	38.35	36.75
24	41.53	39.93

INSERT AVAILABILITY AND IDENTIFICATION



View looking into front face of pin insert or rear of socket insert.

Shell Size	Contact Arrangement	Service Rating	Total Contacts	Contact Size			Alternate Insert Positions (Degree)			
				20	16	12	W	X	Y	Z
8	8-3	I	3	3			60	210		
	8-4	I	4	4			45			
	8-33	I	3	3			90			
	8-98	I	3	3						
10	10-6	I	6	6			90			
12	12-3	II	3	3					180	
	12-8	I	8	8			90	112	203	292
	12-10	I	10	10			60	155	270	295
14	14-4	I	4			4	45			
	14-5	II	5		5		40	92	184	273
	14-12	I	12	8	4		43	90		
	14-15	I	15	14	1		17	110	155	234
	14-18	I	18	18			15	90	180	270
	14-19	I	19	19			30	165	315	
16	16-8	II	8		8		54	152	180	331
	16-14	I	14	8		6	25	78	180	240
	16-23	I	23	22	1		158	270		
	16-26	I	26	26			60		275	338
16-99	I	23	21	2		66	156	223	340	
18	18-8	I	8			8	180			
	18-11	II	11		11		62	119	241	340
	18-32	I	32	32			85	138	222	265
20	20-16	II	16		16		238	318	333	347
	20-39	I	39	37	2		63	144	252	333
	20-41	I	41	41			45	126	225	
22	22-12	I	12			12				
	22-21	II	21		21		16	135	175	349
	22-41	I	41	27	14		39	135	264	
22-55	I	55	55			30	142	226	314	
24	24-19	I	19			19	30	165	315	
	24-31	I	31		31		90	225	255	
	24-61	I	61	61			90	180	270	324

* Please refer to MIL-STD-1669 for contact arrangements other than the ones in the table.



연합정밀주식회사
YEONHAB PRECISION CO., LTD.



OPL 인증

국방품질경영시스템 (국방)

AS 9100(항공)

ISO 14001(환경)

ISO 9001(품질)

DQ마크 인증

본사 (Head Office & Factory)

충남 천안시동남구 목천읍 학수소사길 219-27
TEL: 041-620-3100 FAX: 041-56-5997

#219-27, Haksusosa-Gil, Mockcheon-Eup, Dongnam-Gu, Cheonan City,
Chungcheongnam-Do, Republic Of Korea (ZIP CODE: 31227)
TEL: +82-(0)41-620-3100 FAX: +82-(0)41-566-5997

국내 사업부 (Sales Department)

TEL: 041-620-1310~9 FAX: 041-620-1320

TEL: +82-(0)41-620-1310~9 FAX: +82-(0)41-620-1320

해외 사업부 (Int'l Business Dept)

TEL: 041-620-3230~5 FAX: 041-620-1320

TEL: +82-(0)41-620-3230~5 FAX: +82-(0)41-620-1320

판교통신연구소 (Pangyo R&D Center)

경기도 성남시 분당구 판교역로 231 에이치스퀘어
S블럭 801호
TEL: 031-8018-4300 FAX: 031-8018-4331

#801 S-block, H-square B/D, #231, Pangyoyeok-ro, Bundang-gu,
Seongnam City, gyeonggi-do, Republic Of Korea (ZIP CODE: 13494)
TEL: +82-(0)31-8018-4300 FAX: +82-(0)31-8018-4331