
LMH / LMHF Connectors

Miniature bayonet lock connectors
designed to perform to the requirements of
MIL-DTL-26482



Weald
ELECTRONICS

MANUFACTURERS OF HIGH QUALITY CONNECTORS AND CONNECTOR ACCESSORIES

www.wealdelectronics.com

LMH RANGE CONTENTS

Section 1: LMH Range - Standard Connectors

LMH/LMHF Range general information

LMH description and characteristics	3
Shell Styles	4 - 8
Contact Arrangements	9
Orientations (Inserts)	10
Shell Polarisation	11

LMH Range ordering information

LMH Connectors – Weald Code	12
LMA Accessories – Weald Code	13
LMH Connectors – CECC Code	14
LMA Accessories – CECC Code	15
LMH connectors and accessories – BS 9000 Code	16
Possible Shell / Accessories Combinations (Table)	17
Mating combinations (Table)	18

LMH Range connector dimensions

02A & 00T Fixed, square flange mounting, with or without accessory thread	19
07A & 07T Fixed, single hole mounting with 'O' ring panel seal, with or without internal accessory thread	20
06T, 06TG, 06E, 06EG, 46T, 46TG, 46E, 46EG Free with fine knurled or coarse ribbed coupling nut with accessories	21
01T Fixed, cable mounting with accessory thread.....	22
00E & 00F Fixed, square flange mounting with grommet nut or cable clamp	23
00J & 00EA Fixed, square flange mounting with J sealing gland or A endbell adaptor.....	24
06F, 06FG, 46F, 46FG Free with fine knurled or coarse ribbed coupling nut, with or without grounding fingers with clamp	25
06EA, 06EAG, 06J, 46EA, 46EAG, 46J Free with fine knurled or coarse ribbed coupling nut with accessories.....	26
07E & 07F Fixed, single hole mounting with 'O' ring panel seal and grommet nut or cable clamp	27
01E & 01F Fixed, cable mounting with grommet nut or cable clamp	28
01J & 01EA Fixed, cable mounting with J sealing gland or A endbell adaptor	29
47T Fixed, single hole mounting with 'O' ring panel seal, with external accessory thread	30
46TG 265/245 Free, for overmoulding, coarse ribbed coupling nut, with grounding fingers	31

LMH Range Accessories

LMH 360° screened cable termination.....	32
LMH cable clamp assemblies, long and standard versions with internal thread.....	33
LMH cable clamp assemblies with external thread.....	34
LMH grommet nut assembly with internal thread.....	35
LMH grommet nut assembly with external thread.....	35
LMH J sealing gland.....	36
LMH A endbell adaptor.....	36
LMH square flange mounting gaskets and 'O' rings.....	37
LMH rubber cable clamp grommet.....	37
LMH protective caps.....	38, 39

Section 2: LMHF Range - Filter Connectors

LMHF Range general Information

Description & characteristics.....	40, 41
Ordering Information – Weald Code.....	42
LMHF filter selection.....	43

LMHF Range connector dimensions

07A – Fixed single hole mounting with electrically conductive 'O' ring seal and without accessory thread	44
02B – Fixed square flange without accessory thread	45

Section 3: General Information for LMH/LMHF Connectors

PCB contacts	46
Panel piercing details	47
Assembly instruction / mounting details.....	48
Product Safety Information.....	49

LMH RANGE
DESCRIPTION & CHARACTERISTICS

LMH RANGE

This range of miniature bayonet connectors is manufactured in accordance with BS9522 F0017 and BS/CECC 75201-003, and performs to requirements of MIL-DTL-26482 Series 1 (Solder Terminations). The range comprises 9 shell sizes and various styles. Configuration of contacts varies from 2 to 61, spread across the nine shell sizes.

LMH/LMHF BASIC CONSTRUCTION

Connector shells are manufactured from aluminium alloy. The standard shell has a high resistance to corrosion with an olive drab chromate conversion over cadmium plate finish.

Inserts are of polychloroprene, compounded to a WEALD specification. Operating temperature range is -55°C to +125°C. The connectors have gold plated, non-removable, solder or pcb type contacts.

EMC SCREENING

To satisfy electromagnetic compatibility (EMC) and electromagnetic pulse (EMP) requirements, free shells can be fitted with grounding fingers. Fixed & free shells can be fitted with accessories for screened cable termination.

POLARISATION

To avoid mis-mating with similar connectors which may be adjacently mounted, LMH connectors may be polarised thus:


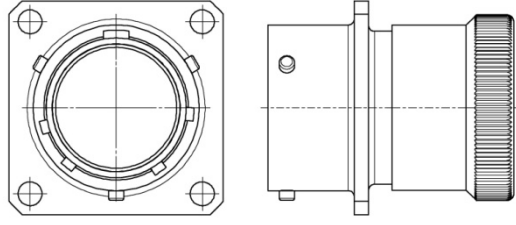

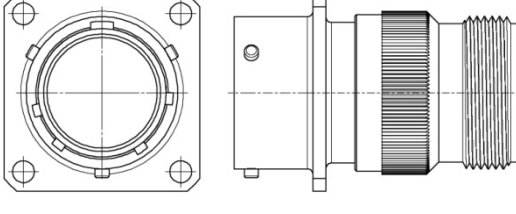

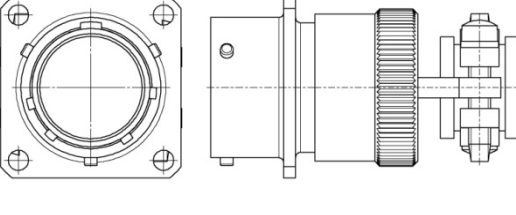

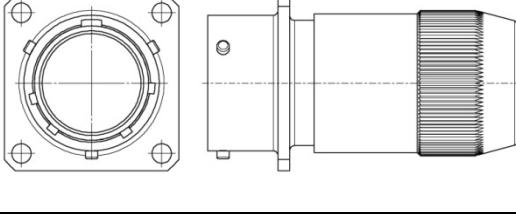

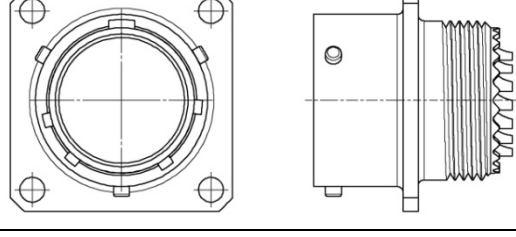

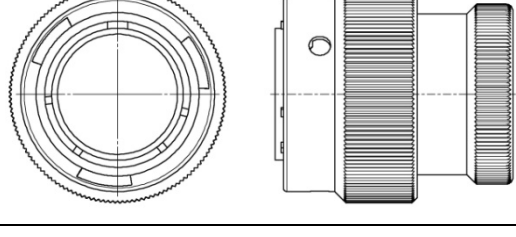
- a) Angular Disposition of the Inserts within the Shell
providing up to four different orientations other than Normal (N). These are designated W, X, Y, Z.
See Table on page 10 for variations available in each planform, or;
- b) The Position of Shell Keys and Keyways
providing up to four different polarisations other than normal (N). These are designated B, C, E, F (see page 11).
With these variations, inserts can be supplied only with the Normal (N) position.

LMH STANDARD CHARACTERISTICS


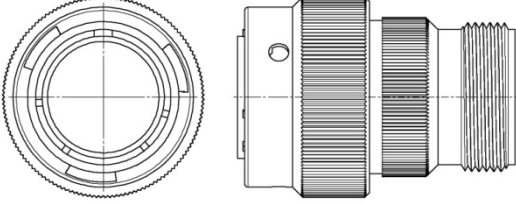

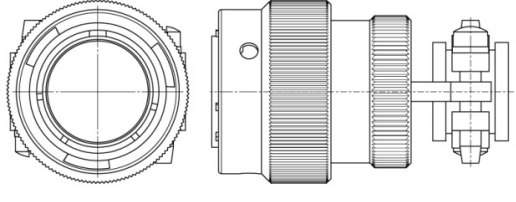

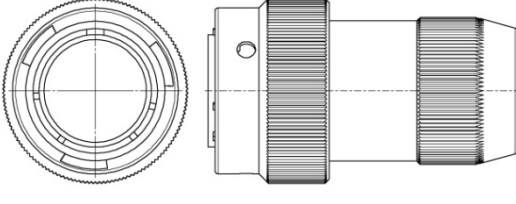

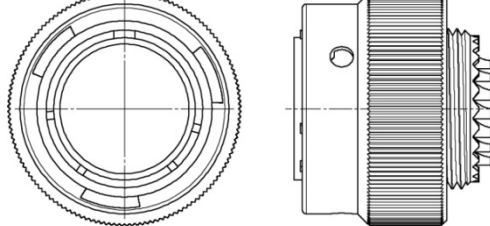

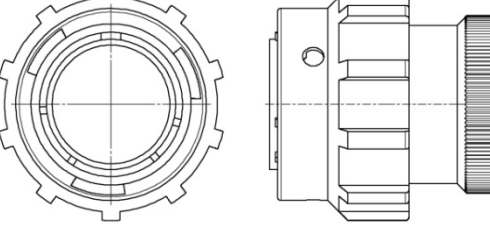

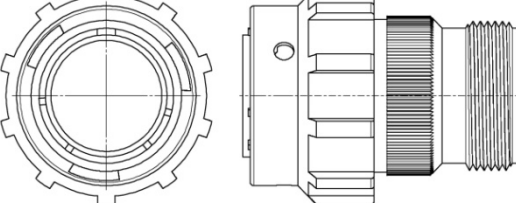
Environmental Category	– 55/125/56
Low pressure severity	– 44 millibars
Number of Contacts	– 2 to 61
Contact Termination	– Solder (Solder bucket and PCB)
Solder bucket diameter	– Size 20 – 1.40mm – Size 16 – 1.78mm – Size 12 – 2.85mm – Size 08 – 5.20mm
Maximum Current Rating at 85°C:	
a) per individual contact in isolation	– Size 20 – 7.5 amps – Size 16 – 13.0 amps – Size 12 – 23.0 amps – Size 08 – 45.0 amps
b) per contact through all contacts simultaneously	– Size 20 – 5.0 amps – Size 16 – 10.0 amps – Size 12 – 20.0 amps – Size 08 – 40.0 amps
Contact Finish	– Gold Plated
Working Voltage DC or AC Peak (at sea level)	– Size 20 – 700 volts – Size 16 – 1200 volts – Size 12 – 1500 volts – Size 08 – 1500 volts
Sealing	– Environmentally Resistant with barrier or barrier and panel seal
*Housing (Shell) Material	– Aluminium Alloy
*Housing (Shell) Finish	– Olive drab chromate conversion over cadmium plate

*Housing (Shell) – Other materials and finishes available. Please consult Sales.


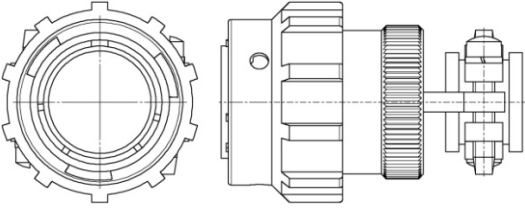

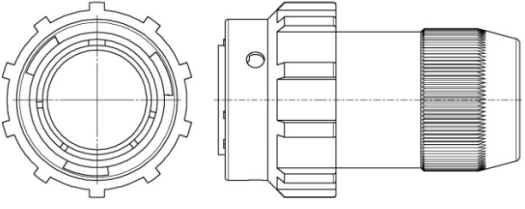

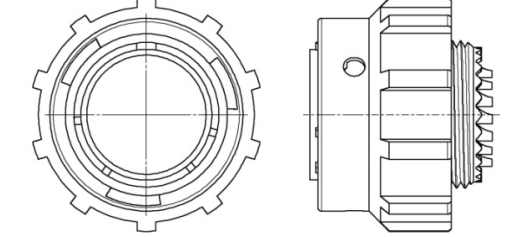

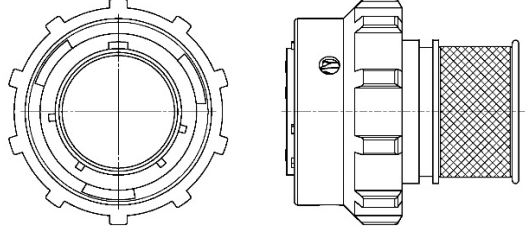

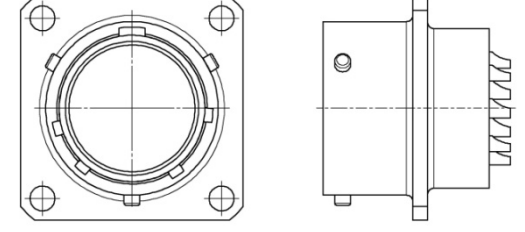

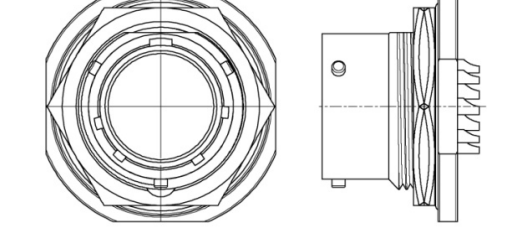
LMH RANGE
SHELL STYLES AVAILABLE

<p>Style 00E Fixed, square flange mounting with grommet and grommet nut</p> <p>See page 23</p>			<p>Mates with styles 06 46</p>
<p>Style 00EA Fixed, square flange mounting with A endbell adaptor</p> <p>See page 24</p>			<p>Mates with styles 06 46</p>
<p>Style 00F Fixed, square flange mounting with grommet and cable clamp</p> <p>See page 23</p>			<p>Mates with styles 06 46</p>
<p>Style 00J Fixed, square flange mounting with J sealing gland</p> <p>See page 24</p>			<p>Mates with styles 06 46</p>
<p>Style 00T Fixed, square flange mounting with accessory thread</p> <p>See page 19</p>			<p>Mates with styles 06 46</p>
<p>Style 06E Free, fine knurled coupling nut with grommet and grommet nut</p> <p>Style 06EG Free, fine knurled coupling nut with grommet, grommet nut and grounding fingers</p> <p>See page 21</p>			<p>Mates with styles 00 01 02 07 47</p>


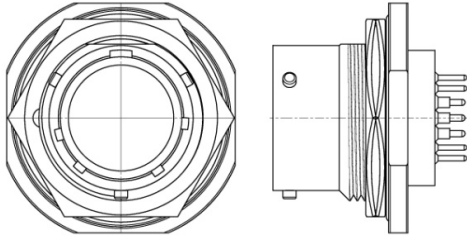

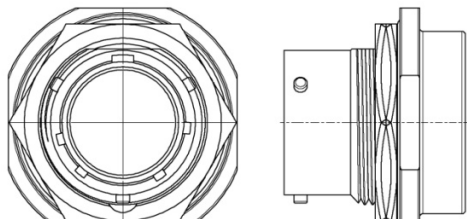

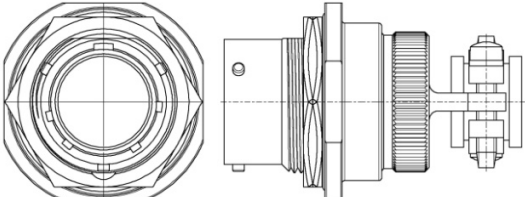

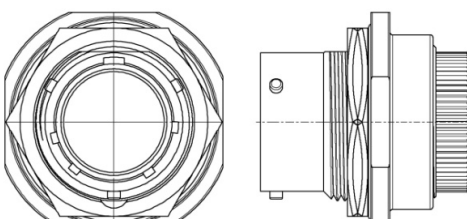

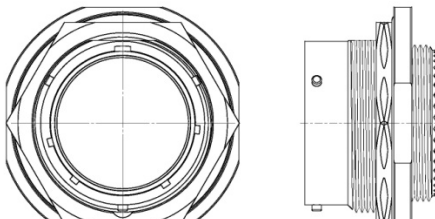

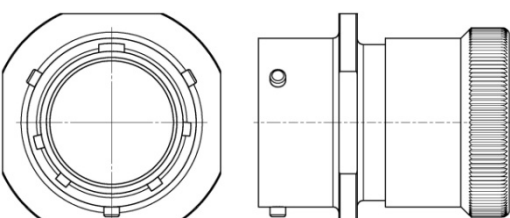
LMH RANGE
SHELL STYLES AVAILABLE

<p>Style 06EA Free, fine knurled coupling nut with A endbell adaptor</p> <p>Style 06EAG Free, fine knurled coupling nut with A endbell adaptor and grounding fingers</p> <p>See page 26</p>			<p>Mates with styles</p> <ul style="list-style-type: none"> 00 01 02 07 47
<p>Style 06F Free, fine knurled coupling nut with grommet and cable clamp</p> <p>Style 06FG Free, fine knurled coupling nut with grommet, cable clamp and grounding fingers</p> <p>See page 25</p>			<p>Mates with styles</p> <ul style="list-style-type: none"> 00 01 02 07 47
<p>Style 06J Free, fine knurled coupling nut with J sealing gland</p> <p>See page 26</p>			<p>Mates with styles</p> <ul style="list-style-type: none"> 00 01 02 07 47
<p>Style 06T Free, fine knurled coupling nut</p> <p>Style 06TG Free, fine knurled coupling nut with grounding fingers</p> <p>See page 21</p>			<p>Mates with styles</p> <ul style="list-style-type: none"> 00 01 02 07 47
<p>Style 46E Free, coarse ribbed coupling nut with grommet and grommet nut</p> <p>Style 46EG Free, coarse ribbed coupling nut with grommet, grommet nut and grounding fingers</p> <p>See page 21</p>			<p>Mates with styles</p> <ul style="list-style-type: none"> 00 01 02 07 47
<p>Style 46EA Free, coarse ribbed coupling nut with A endbell adaptor</p> <p>Style 46EAG Free, coarse ribbed coupling nut with A endbell adaptor and grounding fingers</p> <p>See page 27</p>			<p>Mates with styles</p> <ul style="list-style-type: none"> 00 01 02 07 47


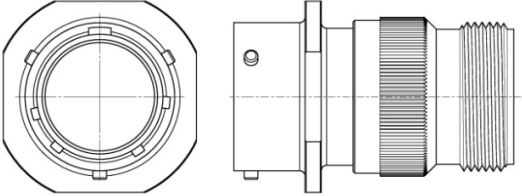

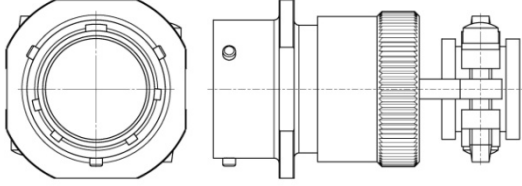

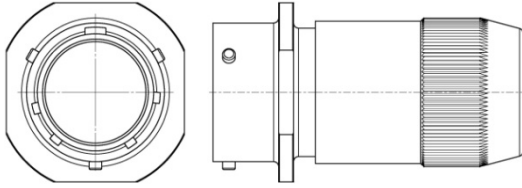

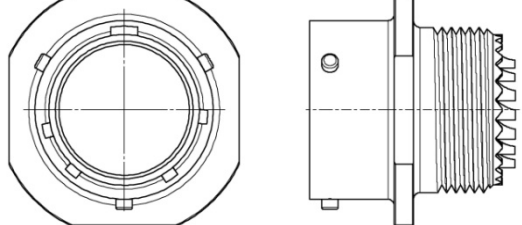
LMH/LMHF RANGE
SHELL STYLES AVAILABLE

<p>Style 46F Free, coarse ribbed coupling nut with grommet and cable clamp</p> <p>Style 46FG Free, coarse ribbed coupling nut with grommet, cable clamp and grounding fingers</p> <p>See page 25</p>			<p>Mates with styles</p> <p>00 01 02 07 47</p>
<p>Style 46J Free, coarse ribbed coupling nut with J sealing gland</p> <p>See page 26</p>			<p>Mates with styles</p> <p>00 01 02 07 47</p>
<p>Style 46T Free, coarse ribbed coupling nut</p> <p>Style 46TG Free, coarse ribbed coupling nut with grounding fingers</p> <p>See page 21</p>			<p>Mates with styles</p> <p>00 01 02 07 47</p>
<p>Style 46TG 245/255/265 Free, for overmoulding, coarse ribbed coupling nut with grounding fingers</p> <p>See page 31</p>			<p>Mates with styles</p> <p>00 01 02 07 47</p>
<p>Style 02A (LMH) Fixed square flange mounting without accessory thread</p> <p>See page 19</p> <p>Style 02B (LMHF) Filter version of 02A</p> <p>See page 45</p>			<p>Mates with styles</p> <p>06 46</p>
<p>Style 07A (LMH) Fixed, single hole mounting with 'O' ring panel seal without accessory thread</p> <p>See page 20</p>			<p>Mates with styles</p> <p>06 46</p>

LMH RANGE
SHELL STYLES AVAILABLE

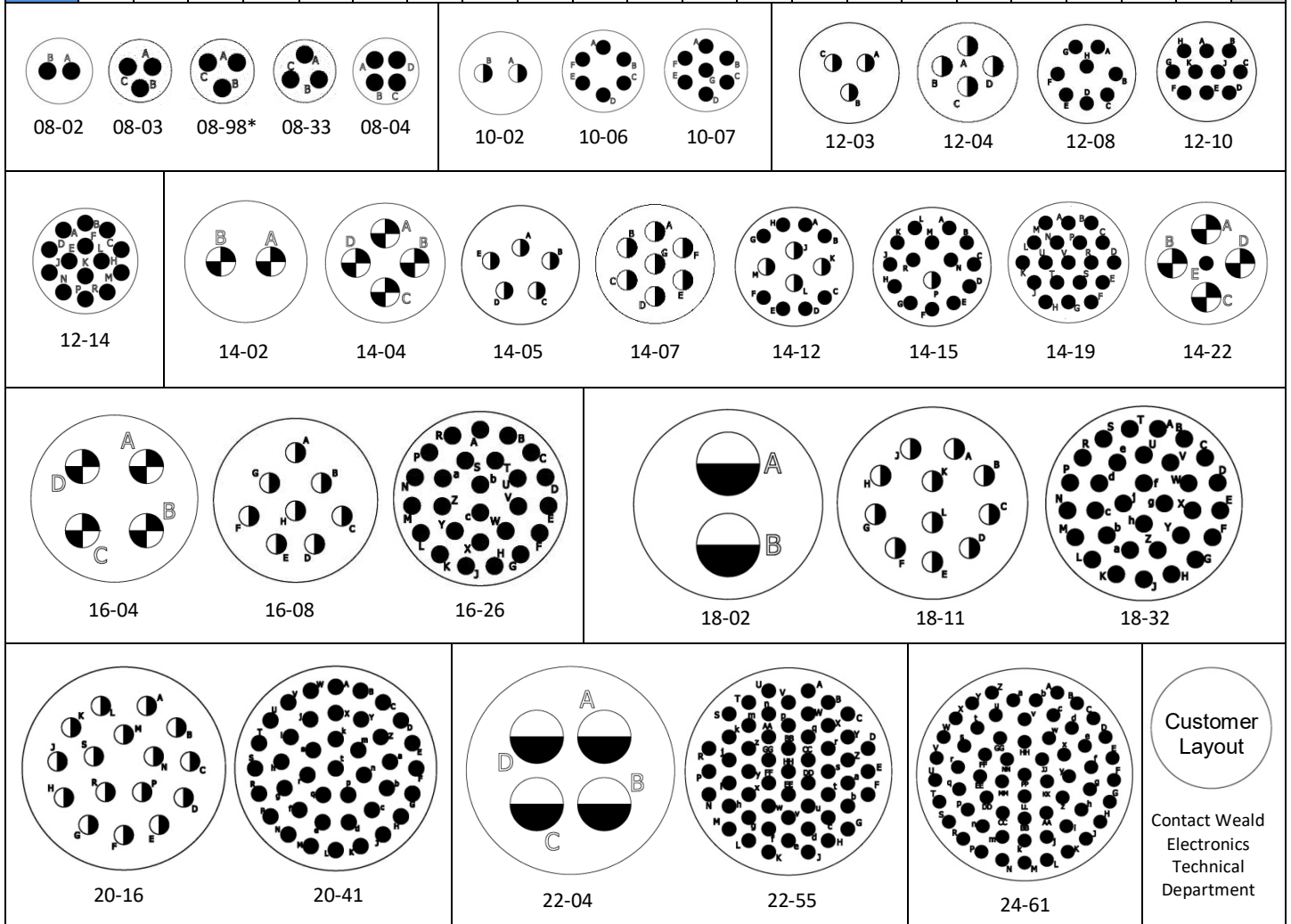
<p>Style 07A (LMHF) Filter version of LMH 07A</p> <p>See page 44</p>			<p>Mates with styles 06 46</p>
<p>Style 07T Fixed, single hole mounting with 'O' ring panel seal and internal accessory thread</p> <p>See page 20</p>			<p>Mates with styles 06 46</p>
<p>Style 07F Fixed, single hole mounting with 'O' ring panel seal, grommet and cable clamp</p> <p>See page 27</p>			<p>Mates with styles 06 46</p>
<p>Style 07E Fixed, single hole mounting with 'O' ring panel seal, grommet and grommet nut</p> <p>See page 27</p>			<p>Mates with styles 06 46</p>
<p>Style 47T Fixed, single hole mounting with 'O' ring panel seal and external accessory thread</p> <p>See page 30</p>			<p>Mates with styles 06 46</p>
<p>Style 01E Free coupler, with grommet and grommet nut</p> <p>See page 28</p>			<p>Mates with styles 06 46</p>

LMH RANGE
SHELL STYLES AVAILABLE

<p>Style 01EA Free coupler with A endbell adaptor</p> <p>See page 29</p>			<p>Mates with styles 06 46</p>
<p>Style 01F Free coupler with grommet and cable clamp</p> <p>See page 28</p>			<p>Mates with styles 06 46</p>
<p>Style 01J Free coupler with J sealing gland</p> <p>See page 29</p>			<p>Mates with styles 06 46</p>
<p>Style 01T Free coupler with accessory thread</p> <p>See page 22</p>			<p>Mates with styles 06 46</p>

LMH/LMHF RANGE CONTACT ARRANGEMENT AVAILABILITY

Shell size	Number of contacts																					
	2	3	4	5	6	7	8	10	11	12	14	15	16	19	21	23	26	32	39	41	55	61
08	08-02	08-03 08-98 08-33	08-04																			
10	10-02				10-06	10-07																
12		12-03	12-04				12-08	12-10			12-14											
14	14-02		14-04	14-05 14-22		14-07				14-12		14-15		14-19								
16			16-04				16-08										16-26					
18	18-02								18-11									18-32				
20												20-16								20-41		
22			22-04																		22-55	
24																						24-61

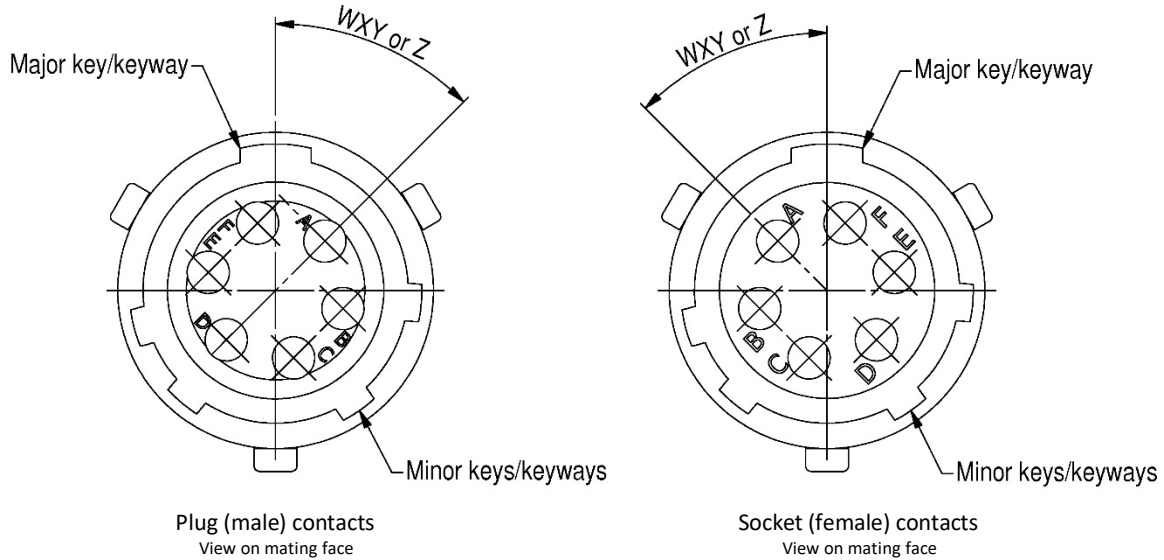


= size 20 contacts (voltage rating at sea level = 700V)
 = size 16 contacts (voltage rating at sea level = 1200V)
 Not to scale
 = size 12 contacts (voltage rating at sea level = 1500V)
 = size 8 contacts (voltage rating at sea level = 1500V)

* - planform 08-98 is equivalent to 8-3A according to VG 95328 specification
 Table shows plug face of connectors.

LMH/LMHF RANGE ORIENTATION (INSERTS)

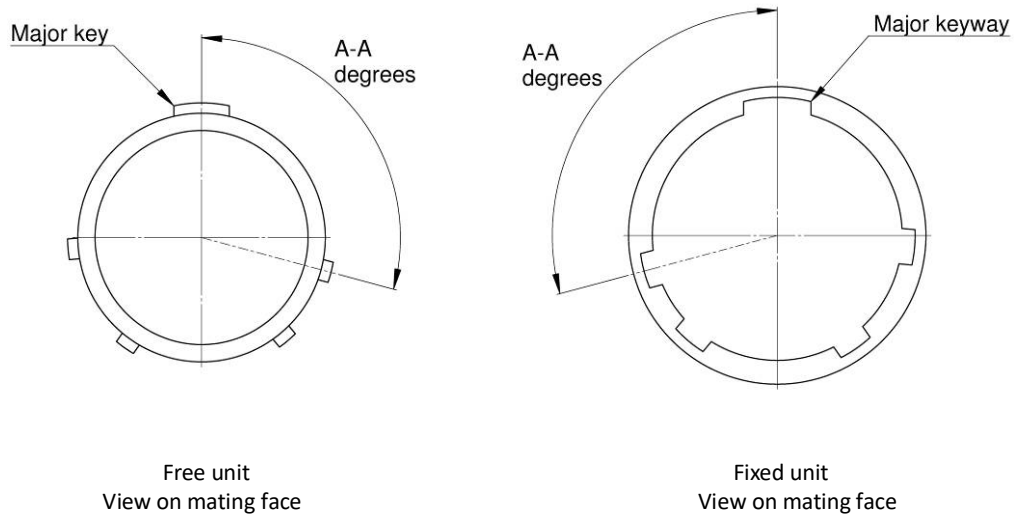
Connectors can be supplied with the moulding inserts in up to 4 alternative positions to 'Normal' (N) in relation to major key/keyway. The 'Normal' (N) position is when the 'A' contact is adjacent to the major key/keyway. See table below for orientations available for each size. Insert orientation is not preferred and is intended for replacement purposes only.



Shell size/ Contact arrangement	Number of contacts and size				Insert orientation (degrees)			
	Size 20	Size 16	Size 12	Size 8	W	X	Y	Z
08-02	2				58	122	-	-
08-03	3				-	-	-	-
08-98 (8-3A)	3				-	-	-	-
08-33	3				90	-	-	-
08-04	4				45	-	-	-
10-02		2			-	-	-	-
10-06	6				90	-	-	-
10-07	7				-	-	-	-
12-03		3			-	-	180	-
12-04		4			-	-	-	-
12-08	8				-	-	-	-
12-10	10				60	155	270	295
12-14	14				-	-	-	-
14-02			2		-	-	-	-
14-04			4		-	-	-	-
14-05		5			40	92	184	273
14-07		7			-	-	-	-
14-12	8	4			43	90	-	-
14-15	14	1			17	110	155	234
14-19	19				30	165	315	-
14-22	1		4		-	-	-	-
16-04			4		-	-	-	-
16-08		8			54	152	180	331
16-26	26				60	-	275	338
18-02				2	-	-	-	-
18-11		11			62	119	241	340
18-32	32				85	138	222	265
20-16		16			238	318	333	347
20-41	41				45	126	225	-
22-04				4	-	-	-	-
22-55	55				30	142	226	314
24-61	61				90	180	270	324

**LMH/LMHF RANGE
SHELL POLARISATION**

Key and keyways relate to free and fixed connectors respectively. The diagrams and table below show the angular versions of key/keyways for each polarisation in this connector range. The major key/keyway, shown on the vertical line, is the datum point.



Shell size	Orientations (A-A)				
	Normal	B	C	E	F
08	105	-	-	118	82
10	105	85	125	115	85
12	105	89	121	115	85
14	105	91	119	75	120
16	105	93	117	75	120
18	105	95	115	75	120
20	105	95	115	75	120
22	105	97	113	75	120
24	105	97	113	75	120

LMH RANGE WEALD CODE ORDERING INFORMATION

CONNECTORS

EXAMPLE LMH 06 E 16 26 P N 0

Range prefix

Shell style

- 00 – Fixed, square flange mounting with accessory thread
- 01 – Free coupler
- 02 – Fixed, square flange mounting
- 06 – Free, fine knurled coupling nut
- 07 – Fixed, single hole mounting with panel seal, with or without internal accessory thread
- 46 – Free, coarse ribbed coupling nut
- 47 – Fixed, single hole mounting with panel seal and external accessory thread

Class

- A – Connector without accessory thread
- T – Connector without grommet and accessory fittings
- E – Connector with grommet and grommet nut*
- F – Connector with grommet and cable clamp*
- EA – Connector with A endbell adaptor
- J – Connector with J sealing gland
- TG – Free connector without grommet and accessory fittings, with grounding fingers
- EG – Free connector with grommet and grommet nut, with grounding fingers*
- FG – Free connector with grommet and cable clamp, with grounding fingers*
- EAG – Free connector with A endbell adaptor and grounding fingers

* For power connectors, 12-14 and 14-07 planforms rubber grommet is omitted.

Shell size

08 - 24 inclusive in even number increments
Represents dia. of female shell in 1.6mm steps

Variant

- 0 = No variant required
- 101 – Zinc cobalt, olive drab*
- 102 – Electroless nickel*
- 108 – Zinc cobalt, black*
- 138 – Zinc nickel, black*
- 203 – PCB contacts Ø0,94mm x 2mm long**
- 207 – PCB contacts Ø0,76mm x 2mm long**
- 245 – Connector for overmoulding, Zinc nickel, black (style 46TG only), [see page 31](#)
- 255 – Connector for overmoulding, Cadmium olive drab (style 46TG only), [see page 31](#)
- 265 – Connector for overmoulding, Zinc cobalt olive drab (style 46TG only), [see page 31](#)

* Other variants available.

Please contact Weald Electronics

** For details and other PCB contact variants [see page 45](#).

Orientation/Polarisation

N – Neutral (normal) orientation and polarisation

W } Orientation by insert rotation –
X } [refer to page 10](#)
Y }
Z }

B } Polarisation by relative displacement
C } of keys/keyways – [refer to page 11](#)
E }
F }

Contact

- P – Pin (male contact)
- S – Socket (female contact)

Contact arrangement – [refer to page 9](#)

LMH/LMHF RANGE WEALD CODE ORDERING INFORMATION

ACCESSORIES

EXAMPLE LMA 1039 16 26 00

Range prefix

Accessory type

- 1025 – Clamp grommet
- 1036 – A endbell adaptor
- 1038 – Cable clamp assembly with internal thread (standard)
- 1039 – Grommet nut assembly with internal thread
- 1040 – Cable clamp assembly with internal thread (long)
- 1053 – Protective cap with cord for free connector
- 1054 – Protective cap with cord for square flange connector
- 1055 – Protective cap with cord for single hole mounting connector
- 1065 – Protective cap with chain for square flange connector
- 1066 – Protective cap with chain for single hole mounting connector
- 1067 – Protective cap with chain for free connector
- 1071 – Square flange mounting gasket (non electrically conductive)
- 1110 – J sealing gland
- 1181 – Grommet nut assembly with external thread
- 1186 – Cable clamp assembly with external thread
- 2201 – Cable clamp assembly with internal thread without grommet (for power connectors, 12-14 and 14-07 planforms)
- 2202 – Grommet nut assembly with internal thread without grommet (for power connectors, 12-14 and 14-07 planforms)
- 2204 – Cable clamp assembly with external thread without grommet (for power connectors, 12-14 and 14-07 planforms)
- 8526 – Square flange mounting gasket (electrically conductive)
- 8527 – 'O' ring seal for single hole mounting connector (electrically conductive)

Variant

- 0 = No variant required
 - 101 – Zinc cobalt, olive drab
 - 102 – Electroless nickel
 - 108 – Zinc cobalt, black
 - 138 – Zinc nickel, black
- Other variants available.
Please contact Weald Electronics

Contact arrangement

where applicable – [refer to page 9](#)

Shell size

08 - 24 inclusive in even number increments
Represents dia. of female shell in 1.6mm steps

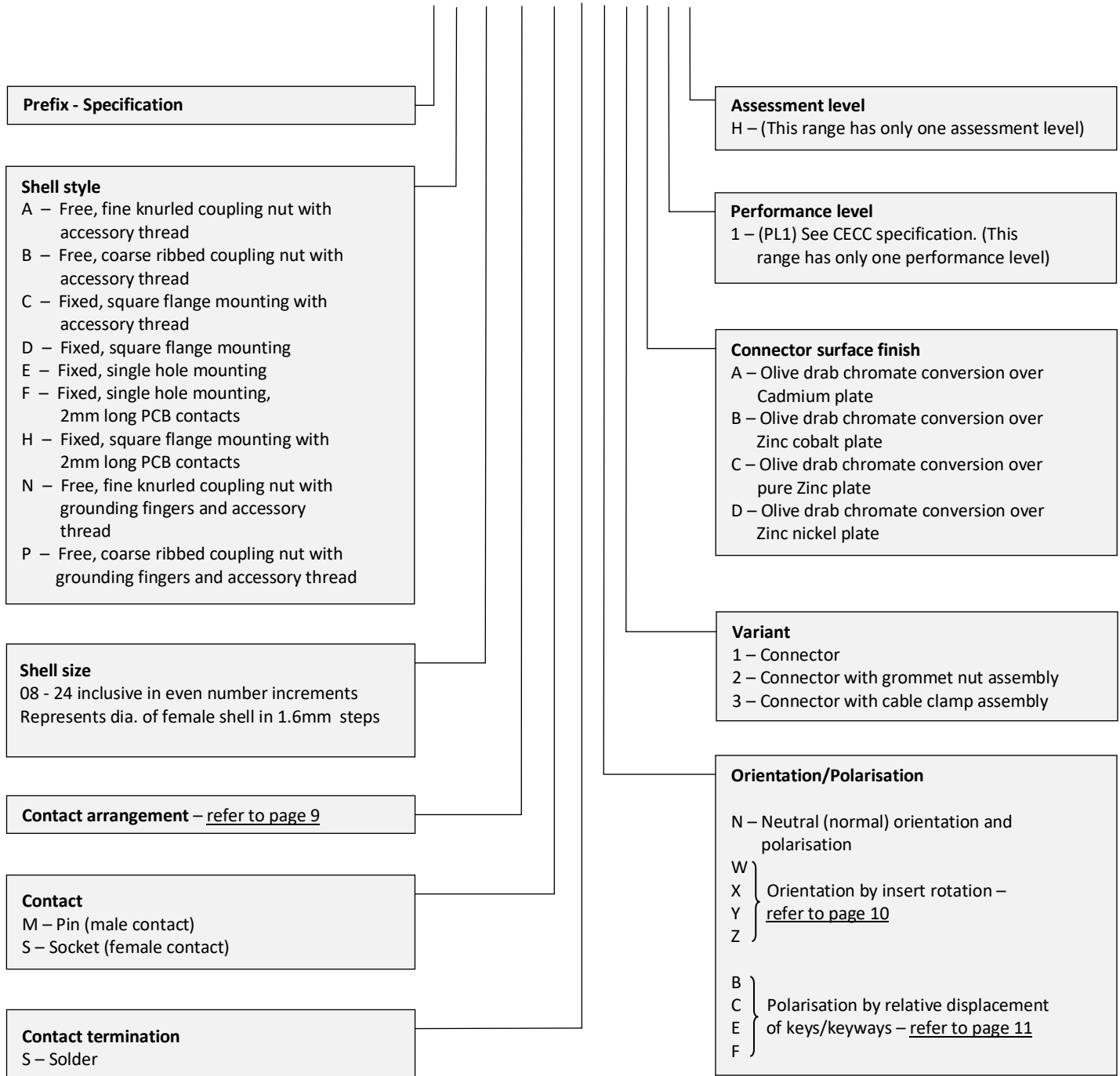


LMH RANGE CECC CODE ORDERING INFORMATION



CONNECTORS

EXAMPLE CECC 75201-003 A 08 33 M S N 2 A 1 H



Note: The above CECC Ordering Information is for reference only. We can offer direct alternatives of the LMH connectors manufactured in accordance with the specification, but not released to CECC approval.

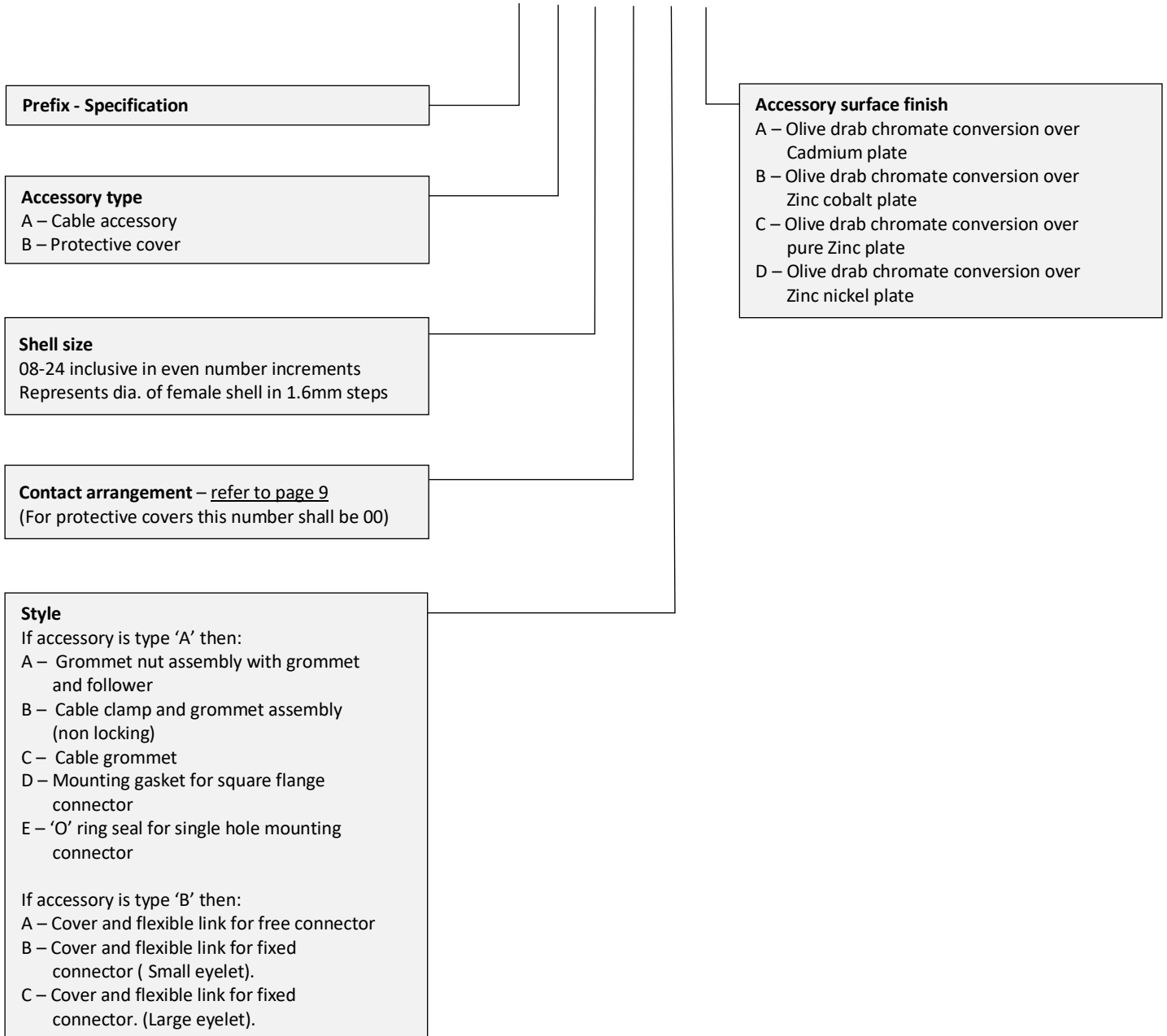


LMH RANGE CECC CODE ORDERING INFORMATION



ACCESSORIES

EXAMPLE CECC 75201-003 A 08 33 B A



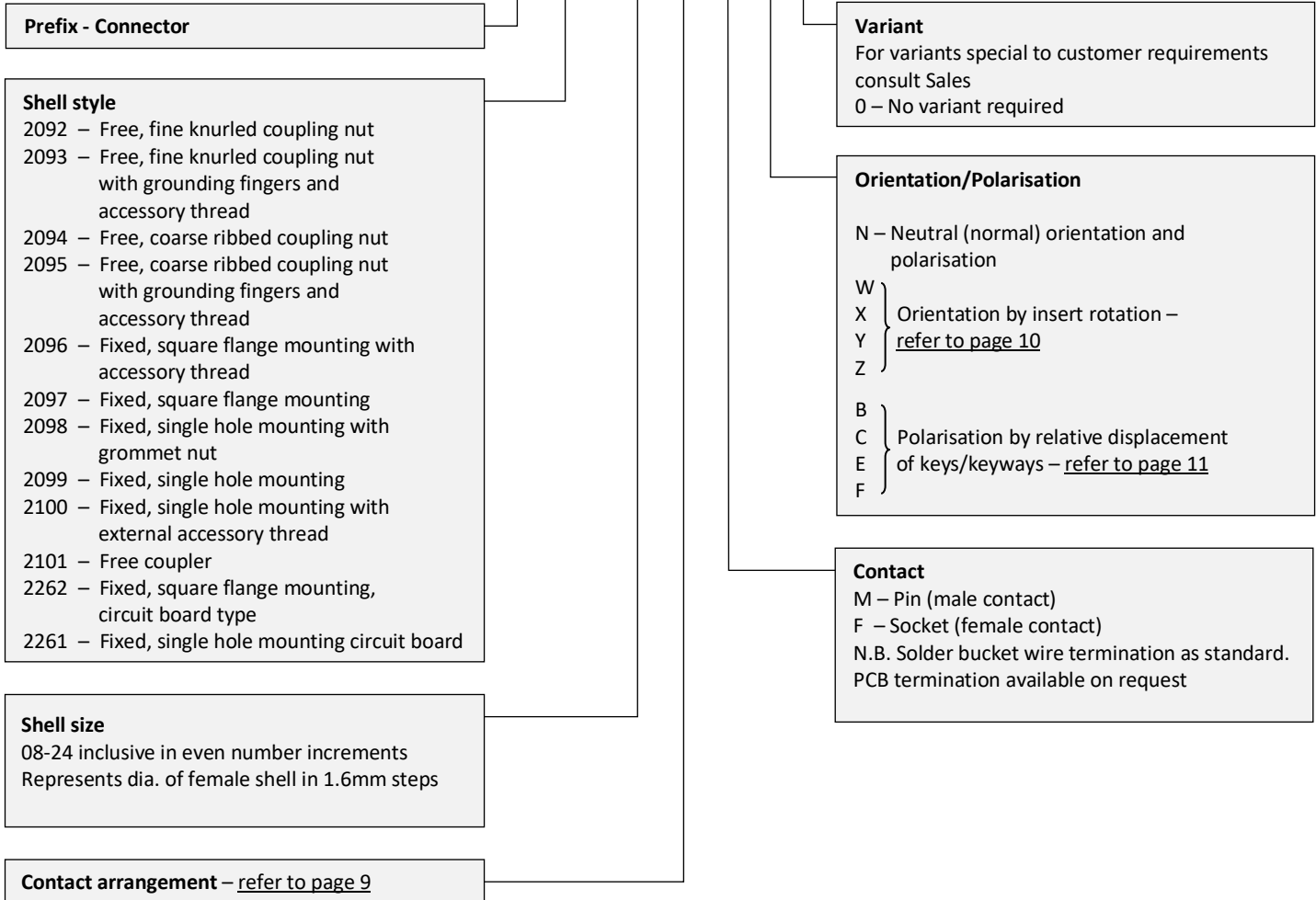
Note: The above CECC Ordering Information is for reference only. We can offer direct alternatives of the LMH connectors manufactured in accordance with the specification, but not released to CECC approval.

LMH RANGE
BS 9000 CODE ORDERING INFORMATION



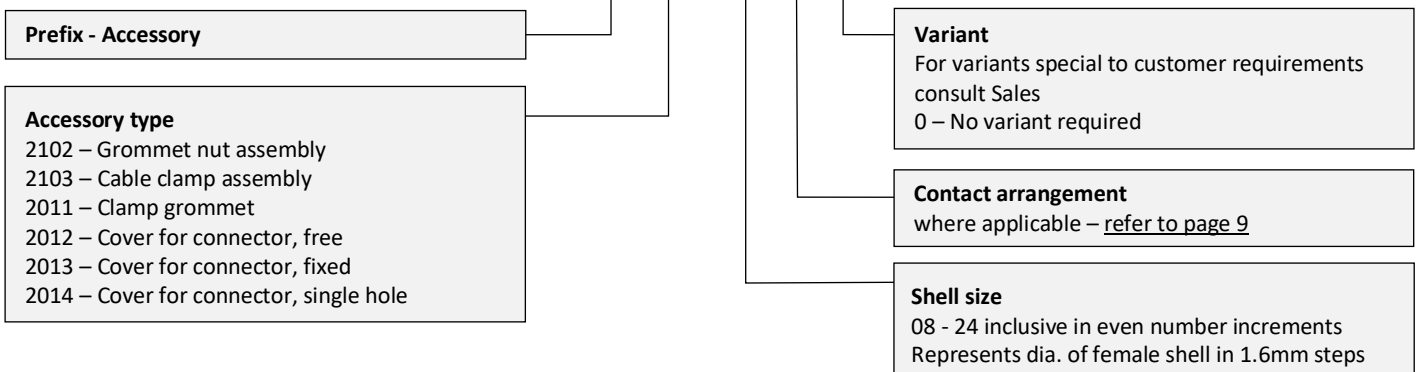
CONNECTORS

EXAMPLE C 2096 16 26 M N O



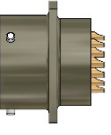
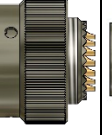
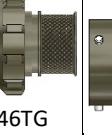
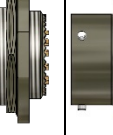
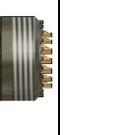
















ACCESSORIES

EXAMPLE A 2102 16 26 0



Note: The above BS 9000 Ordering Information is for reference only. We can offer direct alternatives of the LMH connectors manufactured in accordance with the specification, but not released to BS approval.

LMH RANGES POSSIBLE SHELLS / ACCESSORIES COMBINATIONS

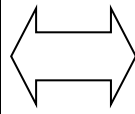
ACCESSORIES	CONNECTOR STYLES										
	 00T	 02A	 06T	 06TG	 46T	 46TG	 46TG 265/245	 07A	 07T	 47T*	 01T
 LMA 1039	 00E	-	 06E	 06EG	 46E	 46EG	-	-	-		 01E
 LMA 1036	 00EA	-	 06EA	 06EAG	 46EA	 46EAG	-	-	-		 01EA
 LMA 1038	 00F	-	 06F	 06FG	 46F	 46FG	-	-	-		 01F
 LMA 1110	 00J	-	 06J	-	 46J	-	-	-	-		 01J
 LMA 1181	-	-	-	-	-	-	-	-	 07E	-	-
 LMA 1186	-	-	-	-	-	-	-	-	 07F	-	-

* - for connectors style 47 order accessories separately

LMH RANGES
MATING COMBINATIONS

FIXED CONNECTORS

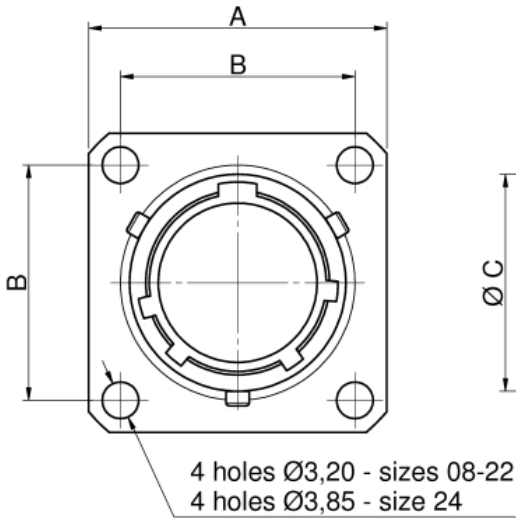
	<p>Fixed, square flange mounting with accessory thread, with or without accessories</p> <p>Styles: 00T, 00E, 00EA, 00F, 00J</p>
	<p>Fixed, square flange mounting without accessory thread</p> <p>Style: 02A, 02B, 02K</p>
	<p>Free coupler with accessory thread, with or without accessories</p> <p>Styles: 01T, 01E, 01EA, 01F, 01J</p>
	<p>Fixed, single hole mounting with 'o' ring panel seal without accessory thread</p> <p>Style: 07A, 07B</p>
	<p>Fixed, single hole mounting with 'o' ring panel seal, internal accessory thread, with or without accessories</p> <p>Styles: 07T, 07E, 07F,</p>
	<p>Fixed, single hole mounting with 'o' ring panel seal, external accessory thread, with or without accessories</p> <p>Style: 47T</p>



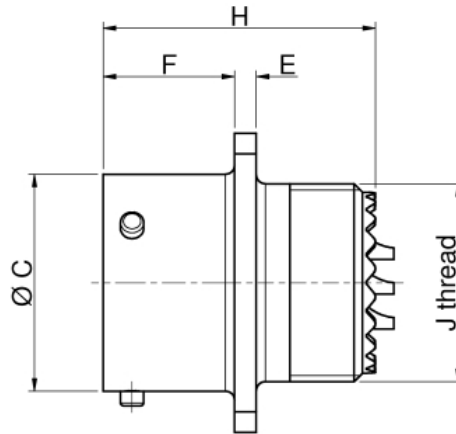
FREE CONNECTORS

	<p>Free, fine knurled coupling nut with or without grounding fingers, with accessory thread, with or without accessories</p> <p>Styles: 06T, 06E, 06EA, 06F, 06J, 06TG, 06EG, 06EAG, 06FG</p>
	<p>Free, coarse knurled coupling nut with or without grounding fingers, with accessory thread, with or without accessories</p> <p>Styles: 46T, 46E, 46EA, 46F, 46J, 46TG, 46EG, 46EAG, 46FG</p>

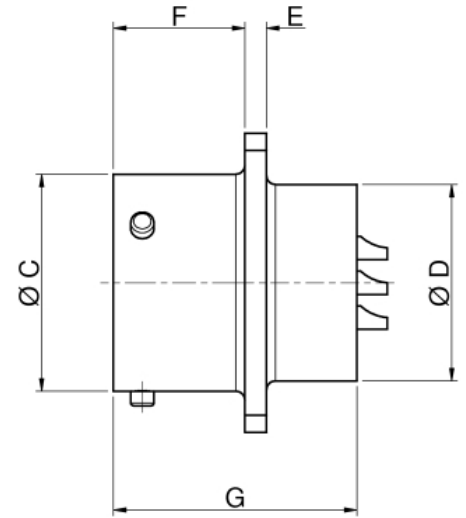
LMH RANGE STYLES 02A & 00T CONNECTORS



Style 00T/02A
Front view



Style 00T (BS C2096)
Fixed square flange mounting
with accessory thread

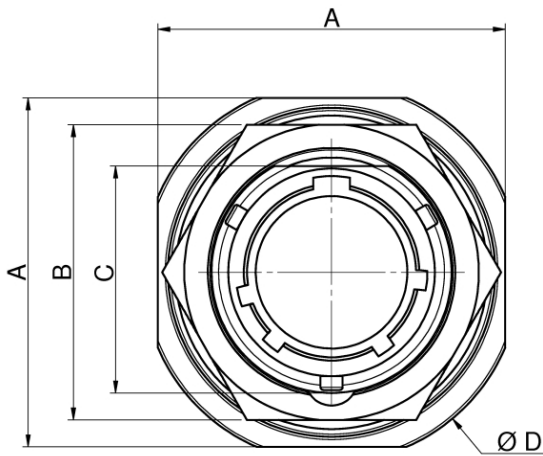


Style 02A (BS C2097)
Fixed square flange mounting
without accessory thread

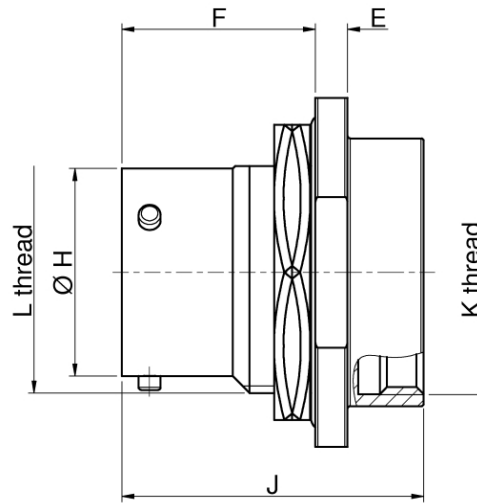
Shell size	A square max [mm]	B ± 0.15 [mm]	ØC max [mm]	ØD max [mm]	E max [mm]	F max [mm]	G max [mm]	H [mm]	J thread to BS 1580 2A
08	21.03	15.08	12.04	11.91	2.00	11.73	21.40	23.95	0.4375" – 28 UNEF
10	24.23	18.26	15.01	14.20	2.00	11.73	21.40	23.95	0.5625" – 24 UNEF
12	26.59	20.62	19.07	18.26	2.00	11.73	21.40	23.95	0.6875" – 24 UNEF
14	28.98	23.01	22.25	21.41	2.00	11.73	21.40	23.95	0.8125" – 20 UNEF
16	31.34	24.61	25.42	24.61	2.00	11.73	21.40	23.95	0.9375" – 20 UNEF
18	33.73	26.97	28.60	27.76	2.00	11.73	21.40	23.95	1.0625" – 18 UNEF
20	36.91	29.36	31.77	30.96	2.80	14.91	27.00	27.30	1.1875" – 18 UNEF
22	40.08	31.75	34.95	34.11	2.80	14.91	27.00	27.30	1.3125" – 18 UNEF
24	43.26	34.93	38.12	37.31	2.80	15.75	28.60	29.00	1.4375" – 18 UNEF

For contact arrangements available for each size [see page 9](#).
 For orientation and polarisation options available [see pages 10 and 11](#).
 For panel piercing details [see page 47](#).
 For PCB version [see page 46](#).

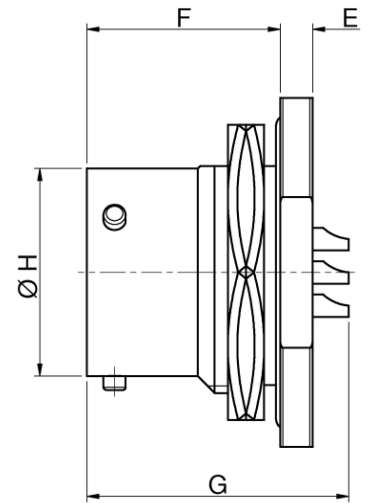
LMH RANGE STYLES 07A & 07T CONNECTORS



Style 07T/07A
Front view



Style 07T
Fixed single hole mounting with 'O' ring panel seal and internal accessory thread

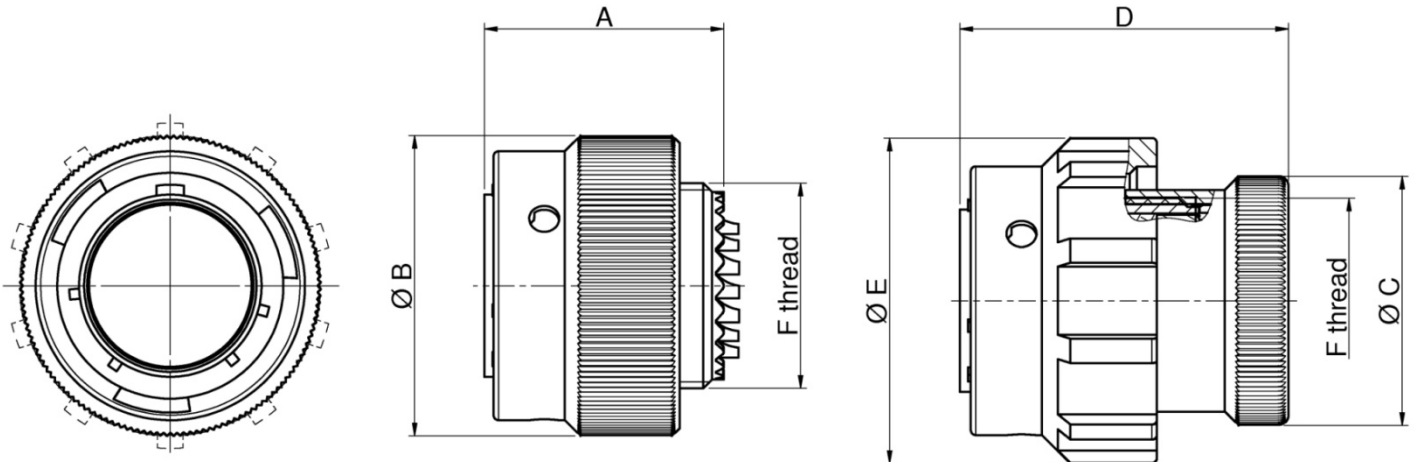


Style 07A (BS C2099)
Fixed single hole mounting with 'O' ring panel seal and without accessory thread

Shell size	A max [mm]	B max [mm]	C max [mm]	ØD max [mm]	E max [mm]	F max [mm]	G max [mm]	ØH max [mm]	J max [mm]	L thread to BS 1580 2A	K thread to BS 1580 2B
08	24.23	19.48	13.46	27.38	3.48	18.34	26.41	12.04	28.10	0.5625" – 24 UNEF	0.625" – 24 UNEF
10	27.38	22.66	16.63	30.55	3.48	18.34	26.41	15.01	28.10	0.6875" – 24 UNEF	0.75" – 20 UNEF
12	32.15	27.41	20.77	35.33	3.48	18.34	26.41	19.08	28.10	0.875" - 20 UNEF	0.875" – 20 UNEF
14	35.33	30.61	23.93	38.50	3.48	18.34	26.41	22.25	28.10	1" – 20 UNEF	1" – 20 UNEF
16	38.51	33.76	27.08	41.68	3.48	18.34	26.41	25.43	28.10	1.125" – 18 UNEF	1.125" – 18 UNEF
18	41.68	36.96	30.25	44.86	3.48	18.34	26.41	28.60	28.10	1.25" - 18 UNEF	1.25" - 18 UNEF
20	46.43	40.11	33.42	49.63	4.27	23.11	30.48	31.78	31.80	1.375" - 18 UNEF	1.375" - 18 UNEF
22	49.63	43.31	36.60	52.78	4.27	23.11	30.48	34.95	31.80	1.5" - 18 UNEF	1.5" - 18 UNEF
24	52.78	46.46	39.78	55.96	4.27	23.95	30.48	38.13	33.60	1.625" - 18 UNEF	1.625" - 18 UNEF

For contact arrangements available for each size [see page 9](#).
 For orientation and polarisation options available [see pages 10 and 11](#).
 For panel piercing details [see page 47](#).
 For PCB version [see page 46](#).

LMH RANGE
STYLES 06T/06TG & 06E/06EG CONNECTORS
STYLES 46T/46TG & 46E/46EG CONNECTORS



Style 06T/06TG/06E/06EG
Style 46T/46TG/46E/46EG (dashed line)
Front view

(Fine knurled coupling nut shown)

(Coarse ribbed coupling nut shown)

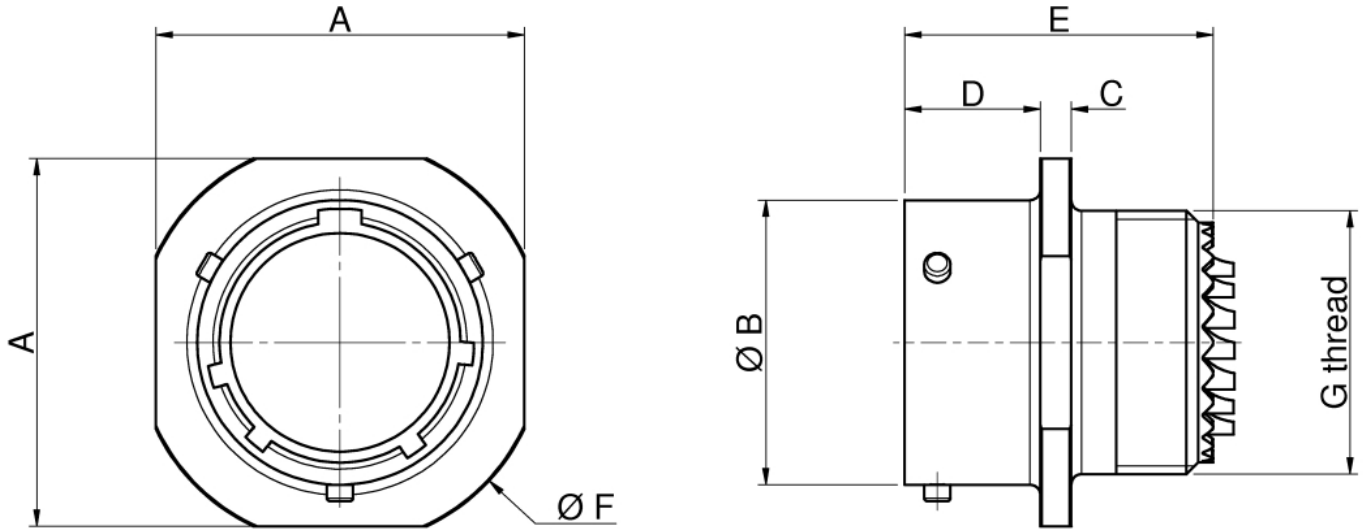
- Style 06T (BS C2092)**
Free, fine knurled coupling nut
- Style 06TG (BS C2093)**
Free, fine knurled coupling nut with grounding fingers
- Style 46T (BS C2094)**
Free, coarse ribbed coupling nut
- Style 46TG (BS C2095)**
Free, coarse ribbed coupling nut with grounding fingers

- Style 06E**
Free, fine knurled coupling nut with grommet and grommet nut
- Style 06EG**
Free, fine knurled coupling nut with grommet, grommet nut and grounding fingers
- Style 46E**
Free, coarse ribbed coupling nut with grommet and grommet nut
- Style 46E**
Free, coarse ribbed coupling nut with grommet, grommet nut and grounding fingers

Shell size	A [mm]	ØB max [mm]	ØC max [mm]	D max [mm]	ØE max [mm]	F thread to BS 1580 2A
08	24.21	19.86	15.00	35.89	22.10	0.4375" – 28 UNEF
10	24.21	23.52	18.29	35.89	24.90	0.5625" – 24 UNEF
12	24.21	26.49	21.84	35.89	29.20	0.6875" – 24 UNEF
14	24.21	30.05	25.15	35.89	35.20	0.8125" – 20 UNEF
16	24.41	33.15	28.19	36.09	37.60	0.9375" – 20 UNEF
18	24.71	35.33	31.50	36.39	40.40	1.0625" – 18 UNEF
20	26.16	38.89	34.54	38.61	43.45	1.1875" – 18 UNEF
22	26.16	42.06	37.60	38.61	46.25	1.3125" – 18 UNEF
24	27.74	45.13	40.90	40.18	49.95	1.4375" – 18 UNEF

For contact arrangements available for each size [see page 9](#).
For orientation and polarisation options available [see pages 10 and 11](#).

**LMH RANGE
STYLES 01T CONNECTORS**



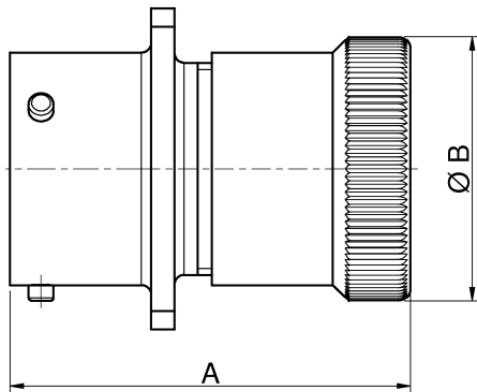
Style 01T (BS C2101)

Fixed, cable mounting connector with accessory thread

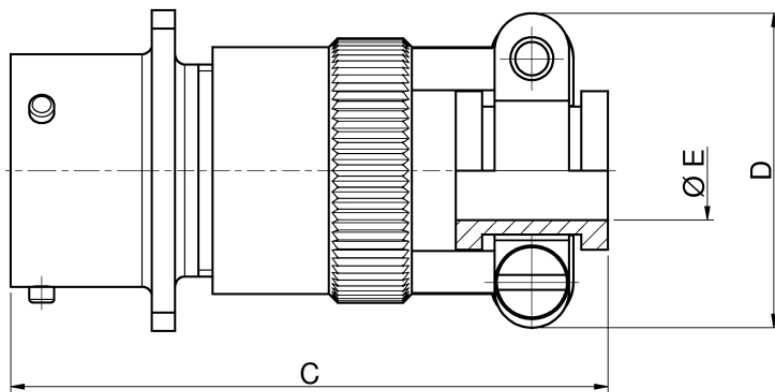
Shell size	A square max [mm]	ØB max [mm]	C max [mm]	D max [mm]	E max [mm]	ØF max [mm]	G thread to BS 1580 2A
08	21.03	12.04	2.80	10.95	25.35	24.33	0.4375" – 28 UNEF
10	24.23	15.01	2.80	10.95	25.35	27.48	0.5625" – 24 UNEF
12	26.59	19.07	2.80	10.95	25.35	29.87	0.6875" – 24 UNEF
14	28.98	22.25	2.80	10.95	25.55	32.26	0.8125" – 20 UNEF
16	31.34	25.42	2.80	10.95	25.55	34.64	0.9375" – 20 UNEF
18	33.73	28.60	2.80	10.95	25.86	37.03	1.0625" – 18 UNEF
20	36.91	31.77	3.32	14.37	28.80	40.18	1.1875" – 18 UNEF
22	40.08	34.95	3.32	14.37	28.80	43.38	1.3125" – 18 UNEF
24	43.26	38.12	3.32	15.22	30.40	46.53	1.4375" – 18 UNEF

For contact arrangements available for each size see [page 9](#).
For orientation and polarisation options available see [pages 10 and 11](#).

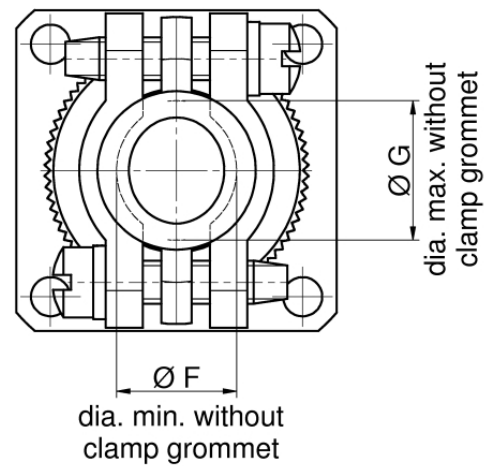
LMH RANGE STYLES 00E & 00F CONNECTORS



Style 00E
Fixed, square flange mounting with
grommet and grommet nut



Style 00F
Fixed, square flange mounting with grommet and
cable clamp

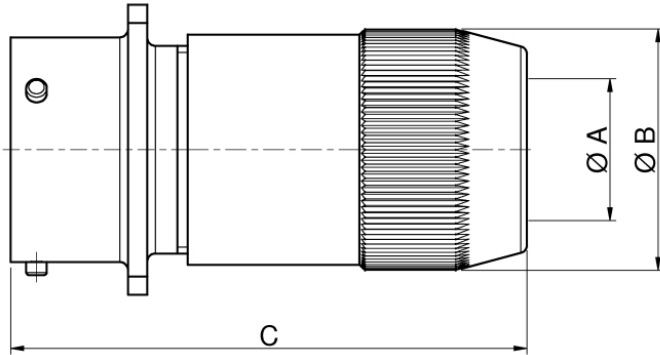


dia. min. without
clamp grommet

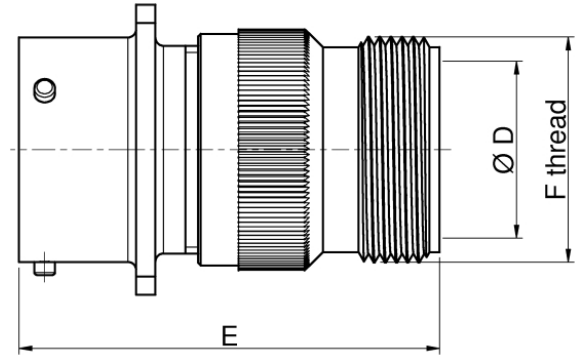
Shell size	A max [mm]	ØB max [mm]	C max [mm]	D max [mm]	ØE cable entry max [mm]	ØF min [mm]	G max [mm]
08	37.03	15.00	51.23	21.03	4.10	4.90	5.94
10	37.03	18.29	51.23	22.63	5.10	4.90	7.54
12	37.03	21.84	51.23	25.81	8.40	7.40	10.72
14	37.24	25.15	51.23	28.98	9.90	8.40	13.90
16	37.24	28.19	54.40	30.56	13.00	9.20	15.47
18	37.54	31.50	55.19	38.00	16.30	11.70	18.64
20	41.25	34.54	61.95	38.00	16.30	13.30	18.64
22	41.25	37.60	61.95	42.06	19.30	13.30	23.42
24	42.85	40.90	63.52	44.45	20.60	16.80	25.00

For contact arrangements available for each size [see page 9](#).
For orientation and polarisation options available [see pages 10 and 11](#).
For panel piercing details [see page 47](#).

**LMH RANGE
STYLES 00J & 00EA CONNECTORS**



Style 00J
Fixed, square flange mounting with
J sealing gland

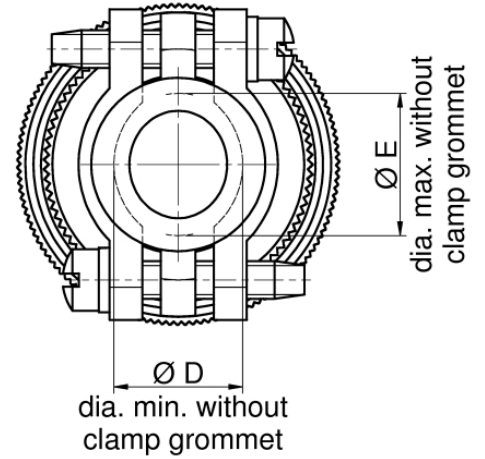
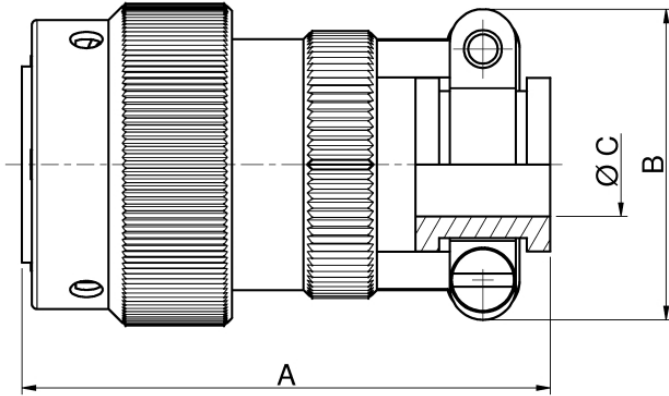


Style 00EA
Fixed, square flange mounting with A
endbell adaptor

Shell size	ØA cable entry max [mm]	ØB [mm]	C [mm]	ØD bore dia. [mm]	E [mm]	F thread to BS 1580 2A
08	5.8	14.27	42.69	8.38	41.42	0.5" – 28 UNEF
10	7.9	17.45	45.45	11.37	41.42	0.625" – 24 UNEF
12	11.2	20.62	45.61	14.55	41.42	0.75" – 20 UNEF
14	13.7	23.80	49.80	17.44	41.42	0.875" – 20 UNEF
16	15.6	26.97	56.03	20.62	41.42	1" – 20 UNEF
18	17.6	30.15	61.36	23.36	41.42	1.1875" – 18 UNEF
20	19.0	33.32	69.79	25.54	44.77	1.1875" – 18 UNEF
22	21.5	36.50	75.00	29.71	44.77	1.4375" – 18 UNEF
24	22.7	39.67	80.16	31.89	46.50	1.4375" – 18 UNEF

For contact arrangements available for each size [see page 9](#).
For orientation and polarisation options available [see pages 10 and 11](#).
For panel piercing details [see page 47](#).

LMH RANGE
STYLE 06F/06FG CONNECTORS
STYLE 46F/46FG CONNECTORS



Style 06F

Free, fine knurled coupling nut with grommet and cable clamp

Style 06FG

Free, fine knurled coupling nut with grommet, cable clamp and grounding fingers

Style 46F

Free, coarse ribbed coupling nut with grommet and cable clamp

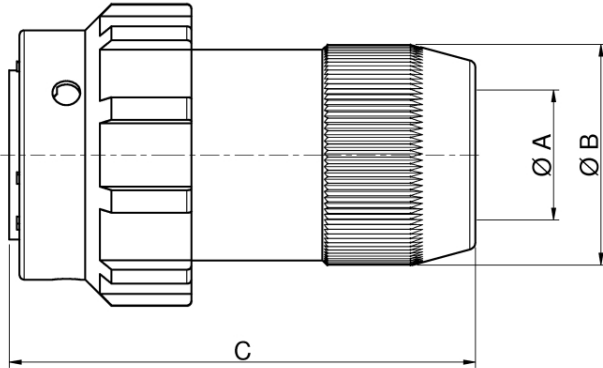
Style 46FG

Free, coarse ribbed coupling nut with grommet, cable clamp and grounding fingers

Shell size	A max [mm]	B max [mm]	ØC cable entry max [mm]	ØD min [mm]	ØE max [mm]
08	50.82	21.03	4.10	4.90	5.94
10	50.82	22.63	5.10	4.90	7.54
12	50.82	25.81	8.40	7.40	10.72
14	50.82	28.98	9.90	8.40	13.90
16	54.40	30.56	13.00	9.20	15.47
18	55.19	38.00	16.30	11.70	18.64
20	59.56	38.00	16.30	13.30	18.64
22	59.56	42.06	19.30	13.30	23.42
24	61.13	44.45	20.60	16.80	25.00

For contact arrangements available for each size [see page 9](#).
For orientation and polarisation options available [see pages 10 and 11](#).

LMH RANGE
STYLES 06EA/06EAG & 06J CONNECTORS
STYLES 46EA/46EAG & 46J CONNECTORS



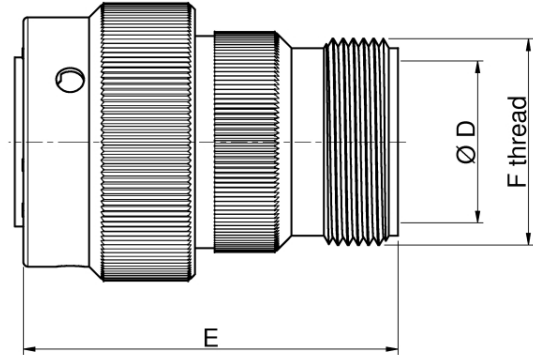
(Coarse ribbed coupling nut shown)

Style 06J

Free, fine knurled coupling nut with J sealing gland

Style 46J

Free, coarse ribbed coupling nut with J sealing gland



(Fine knurled coupling nut shown)

Style 06EA

Free, fine knurled coupling with A endbell adaptor

Style 06EAG

Free, fine knurled coupling with A endbell adaptor and grounding fingers

Style 46EA

Free, coarse ribbed coupling with A endbell adaptor

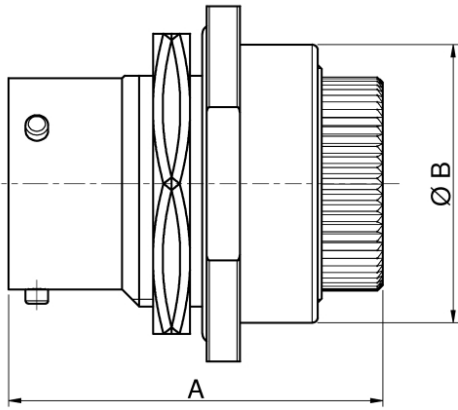
Style 46EAG

Free, coarse ribbed coupling with A endbell adaptor and grounding fingers

Shell size	ØA cable entry max [mm]	ØB [mm]	C [mm]	ØD bore dia. [mm]	E [mm]	F thread to BS 1580 2A
08	5.8	14.27	42.72	8.38	40.64	0.5" – 28 UNEF
10	7.9	17.45	43.48	11.37	40.64	0.625" – 24 UNEF
12	11.2	20.62	45.64	14.55	40.64	0.75" – 20 UNEF
14	13.7	23.80	49.83	17.44	40.64	0.875" – 20 UNEF
16	15.6	26.97	56.17	20.62	40.64	1" – 20 UNEF
18	17.6	30.15	61.39	23.36	40.64	1.1875" – 18 UNEF
20	19.0	33.32	68.01	25.54	42.18	1.1875" – 18 UNEF
22	21.5	36.50	74.00	29.71	42.18	1.4375" – 18 UNEF
24	22.7	39.67	78.15	31.89	43.91	1.4375" – 18 UNEF

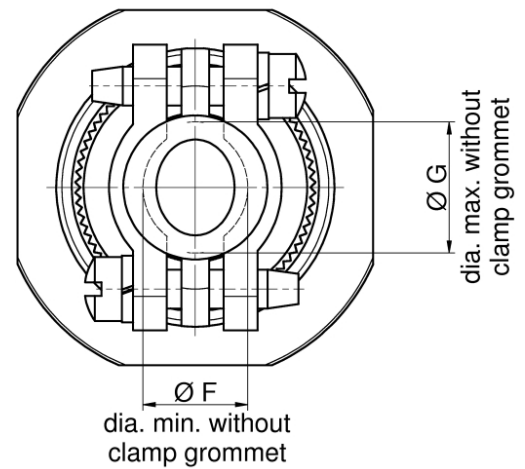
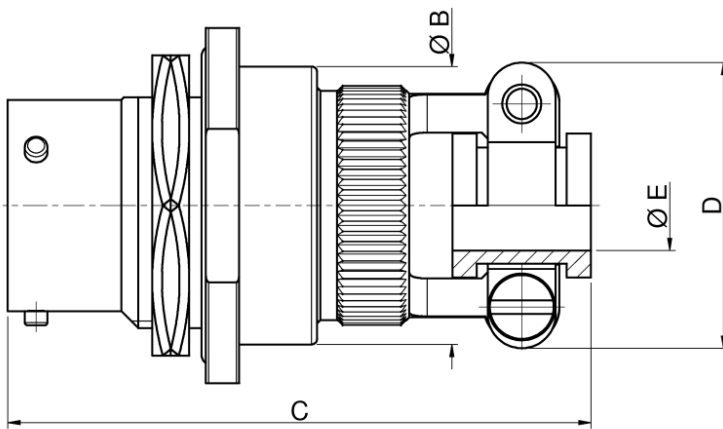
For contact arrangements available for each size see [page 9](#).
For orientation and polarisation options available see [pages 10 and 11](#).

LMH RANGE STYLES 07E & 07F CONNECTORS



Style 07E (BS C2098)

Fixed, single hole mounting with
'O' ring panel seal, grommet and grommet nut



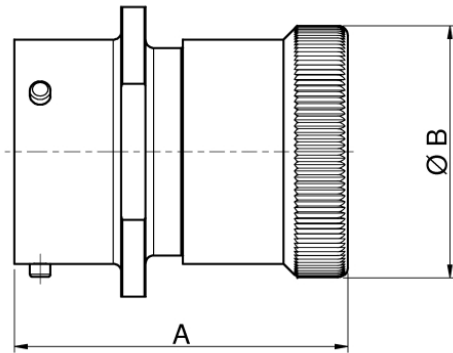
Style 07F

Fixed, single hole mounting with
'O' ring panel seal, grommet and cable clamp

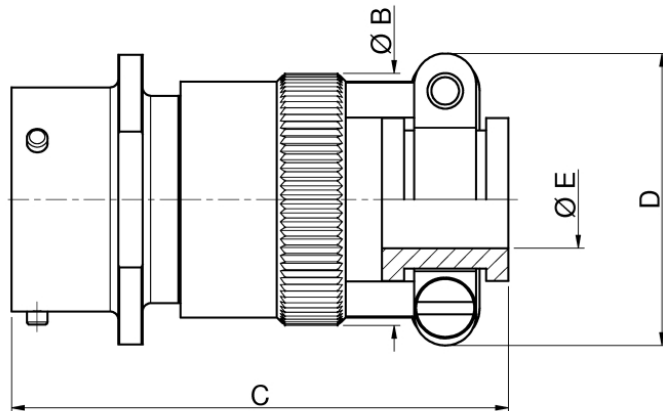
Shell size	A max [mm]	ØB max [mm]	C max [mm]	D max [mm]	ØE cable entry max [mm]	ØF min [mm]	G max [mm]
08	36.41	19.05	56.00	21.03	4.10	4.90	5.94
10	36.41	22.22	56.00	22.63	5.10	4.90	7.54
12	36.41	25.40	56.00	25.81	8.40	7.40	10.72
14	36.41	28.57	56.00	28.98	9.90	8.40	13.90
16	36.41	31.75	59.00	30.56	13.00	9.20	15.47
18	36.41	34.92	59.00	38.00	16.30	11.70	18.64
20	41.20	38.89	64.00	38.00	16.30	13.30	18.64
22	41.20	42.06	64.00	42.06	19.30	13.30	23.42
24	43.00	45.24	66.00	44.45	20.60	16.80	25.00

For contact arrangements available for each size [see page 9](#).
For orientation and polarisation options available [see pages 10 and 11](#).
For panel piercing details [see page 47](#).

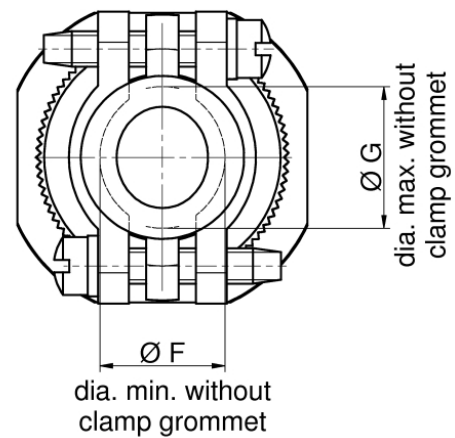
LMH RANGE STYLES 01E & 01F CONNECTORS



Style 01E
Fixed, cable mounting with grommet
and grommet nut



Style 01F
Fixed, cable mounting with grommet
and cable clamp

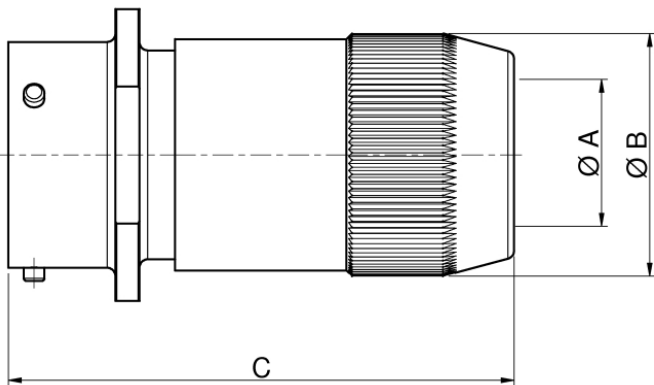


dia. min. without
clamp grommet

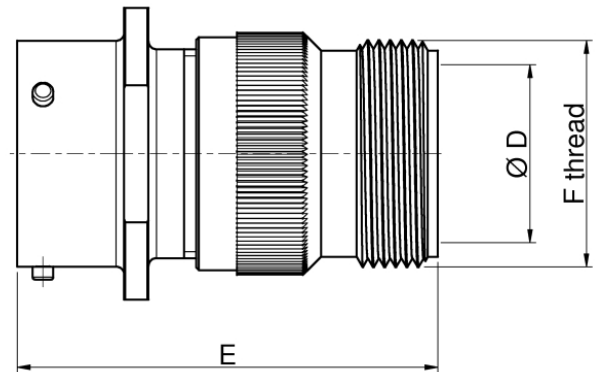
Shell size	A max [mm]	ØB max [mm]	C max [mm]	D max [mm]	ØE cable entry max [mm]	ØF min [mm]	G max [mm]
08	37.03	15.00	51.23	21.03	4.10	4.90	5.94
10	37.03	18.29	51.23	22.63	5.10	4.90	7.54
12	37.03	21.84	51.23	25.81	8.40	7.40	10.72
14	37.24	25.15	51.23	28.98	9.90	8.40	13.90
16	37.24	28.19	54.40	30.56	13.00	9.20	15.47
18	37.54	31.50	55.19	38.00	16.30	11.70	18.64
20	41.25	34.54	61.95	38.00	16.30	13.30	18.64
22	41.25	37.60	61.95	42.06	19.30	13.30	23.42
24	42.85	40.90	63.52	44.45	20.60	16.80	25.00

For contact arrangements available for each size [see page 9](#).
For orientation and polarisation options available [see pages 10 and 11](#).

LMH RANGE
STYLES 01J & 01EA CONNECTORS



Style 01J
Fixed, cable mounting with J
sealing gland

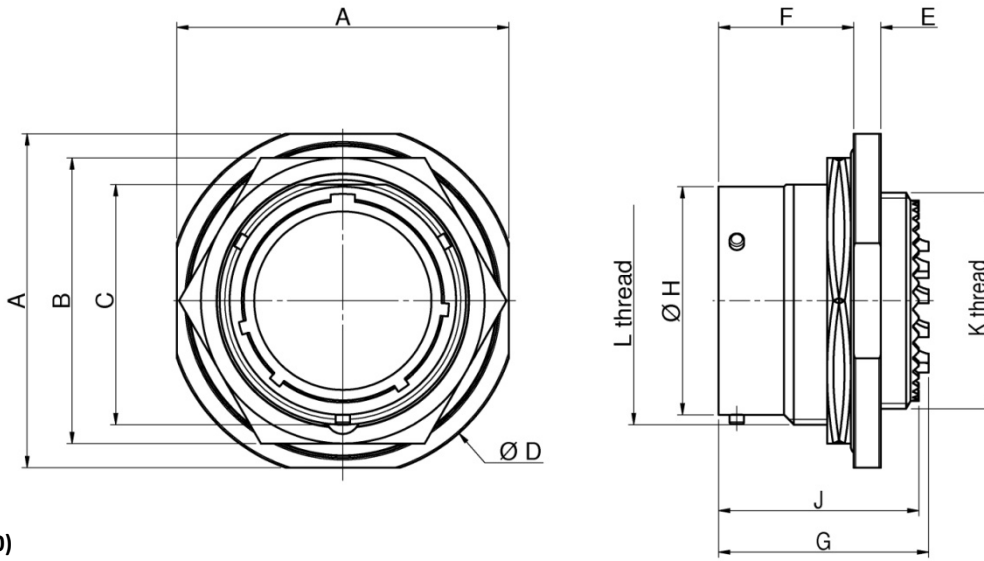


Style 01EA
Fixed, cable mounting with A endbell
adaptor

Shell size	ØA cable entry max [mm]	ØB [mm]	C [mm]	ØD bore dia. [mm]	E [mm]	F thread to BS 1580 2A
08	5.8	14.27	42.69	8.38	41.42	0.5" – 28 UNEF
10	7.9	17.45	45.45	11.37	41.42	0.625" – 24 UNEF
12	11.2	20.62	45.61	14.55	41.42	0.75" – 20 UNEF
14	13.7	23.80	49.80	17.44	41.42	0.875" – 20 UNEF
16	15.6	26.97	56.03	20.62	41.42	1" – 20 UNEF
18	17.6	30.15	61.36	23.36	41.42	1.1875" – 18 UNEF
20	19.0	33.32	69.79	25.54	44.77	1.1875" – 18 UNEF
22	21.5	36.50	75.00	29.71	44.77	1.4375" – 18 UNEF
24	22.7	39.67	80.16	31.89	46.50	1.4375" – 18 UNEF

For contact arrangements available for each size [see page 9](#).
For orientation and polarisation options available [see pages 10 and 11](#).

**LMH RANGE
STYLES 47T CONNECTORS**



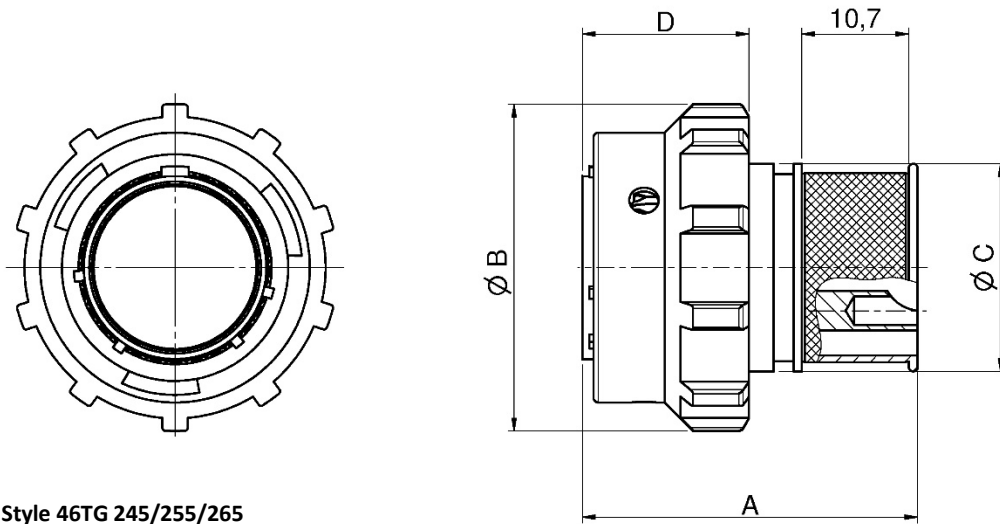
Style 47T (BS C2100)

Fixed single hole mounting with 'O' ring panel seal and external accessory thread

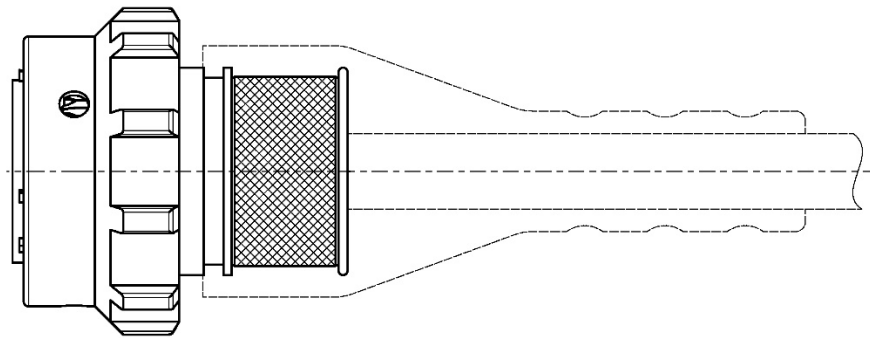
Shell size	A max [mm]	B max [mm]	C max [mm]	ØD max [mm]	E max [mm]	F max [mm]	G max [mm]	ØH max [mm]	J max [mm]	L thread to BS 1580 2A	K thread to BS 1580 2A
08	24.23	19.48	13.46	27.38	3.48	15.75	26.41	12.04	25.91	0.5625" – 24 UNEF	0.4375" – 28 UNEF
10	27.38	22.66	16.63	30.55	3.48	15.75	26.41	15.01	25.91	0.6875" – 24 UNEF	0.5625" – 24 UNEF
12	32.15	27.41	20.77	35.33	3.48	15.75	26.41	19.08	25.91	0.875" - 20 UNEF	0.6875" – 24 UNEF
14	35.33	30.61	23.93	38.50	3.48	15.75	26.41	22.25	25.91	1" – 20 UNEF	0.8125" – 20 UNEF
16	38.51	33.76	27.08	41.68	3.48	15.75	26.41	25.43	25.91	1.125" – 18 UNEF	0.9375" – 20 UNEF
18	41.68	36.96	30.25	44.86	3.48	15.75	26.41	28.60	25.91	1.25" - 18 UNEF	1.0625" – 18 UNEF
20	46.43	40.11	33.42	49.63	4.27	19.55	30.48	31.78	28.45	1.375" - 18 UNEF	1.1875" – 18 UNEF
22	49.63	43.31	36.60	52.78	4.27	19.55	30.48	34.95	28.45	1.5" - 18 UNEF	1.3125" – 18 UNEF
24	52.78	46.46	39.78	55.96	4.27	20.30	30.48	38.13	29.97	1.625" - 18 UNEF	1.4375" – 18 UNEF

For contact arrangements available for each size [see page 9](#).
 For orientation and polarisation options available [see pages 10 and 11](#).
 For panel piercing details [see page 47](#).

LMH RANGE
STYLE 46TG 245/255/265 CONNECTORS (FOR OVERMOULDING)



Style 46TG 245/255/265
Free, for overmoulding, coarse ribbed coupling nut with grounding fingers



View with exemplary overmoulded strain relief

Shell size	A ± 0,25 [mm]	ØB max [mm]	ØC ± 0,1 [mm]	D max [mm]
10	33.30	24.90	14.30	16.65
12	33.30	29.20	17.40	16.65
14	33.40	32.50	20.65	16.80

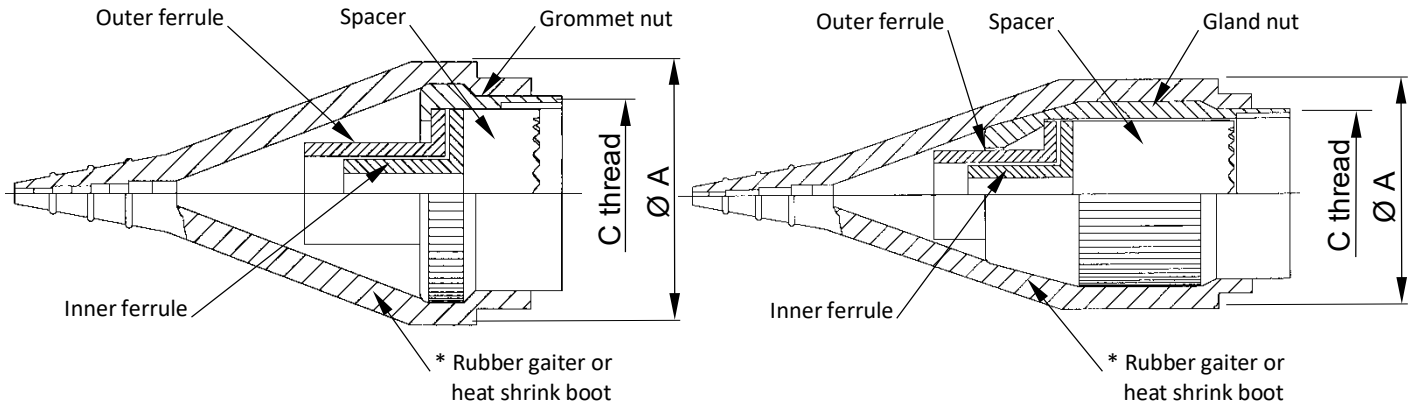
For contact arrangements available for each size [see page 9](#).
For orientation and polarisation options available [see pages 10 and 11](#).

NOTE: CONNECTOR IS AVAILABLE ONLY WITH SIZE 20 CONTACTS.

LMH RANGE EMC ACCESSORIES

360° SCREENED CABLE TERMINATION

N.B. These accessories are not included in the BS or CECC specifications
360° screen termination to suit 00T, 01T, 06T, 06TG, 46T and 46TG connectors
Designed for use with screened multicore cable



Shell size 08 – 12 Assembly

Shell size 14 – 24 Assembly

Shell size	Cable OD max [mm]	Weald Part No.	Ø A min [mm]	C thread to BS 1580 2B
08	3.0	LMA8509-08-03-00	17.8	0.4375" – 28 UNEF
08	4.8	LMA8509-08-04-00	17.8	0.4375" – 28 UNEF
10	3.0	LMA8509-10-03-00	21.1	0.5625" – 24 UNEF
10	4.0	LMA8509-10-04-00	21.1	0.5625" – 24 UNEF
10	5.0	LMA8509-10-05-00	21.8	0.5625" – 24 UNEF
10	6.0	LMA8509-10-06-00	21.8	0.5625" – 24 UNEF
10	7.0	LMA8509-10-07-00	21.8	0.5625" – 24 UNEF
12	4.0	LMA8509-12-04-00	24.6	0.6875" – 24 UNEF
12	6.0	LMA8509-12-06-00	24.6	0.6875" – 24 UNEF
12	8.25	LMA8509-12-08-00	24.6	0.6875" – 24 UNEF
14	10.0	LMA8509-14-10-00	26.8	0.8125" – 20 UNEF
16	12.0	LMA8509-16-12-00	30.0	0.9375" – 20 UNEF
18	14.0	LMA8509-18-14-00	33.2	1.0625" – 18 UNEF
20	15.0	LMA8509-20-15-00	36.4	1.1875" – 18 UNEF
22	18.0	LMA8509-22-18-00	39.5	1.3125" – 18 UNEF
24	19.0	LMA8509-24-19-00	42.7	1.4375" – 18 UNEF

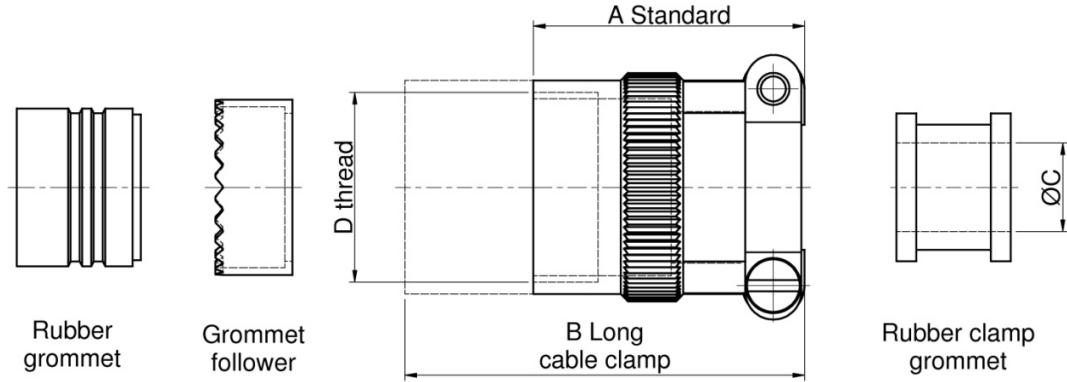
* Consult Sales for further information

See page 48 for assembly instructions

LMH RANGE ACCESSORIES

CABLE CLAMP ASSEMBLY WITH CLAMP GROMMET AND INTERNAL THREAD (LONG AND STANDARD VERSIONS)

N.B. Long cable clamps are not included in the BS or CECC Specifications
CECC part numbers for standard clamps – refer to page 15
Suitable for use with 00, 01, 06, 46 & 47 style connectors.



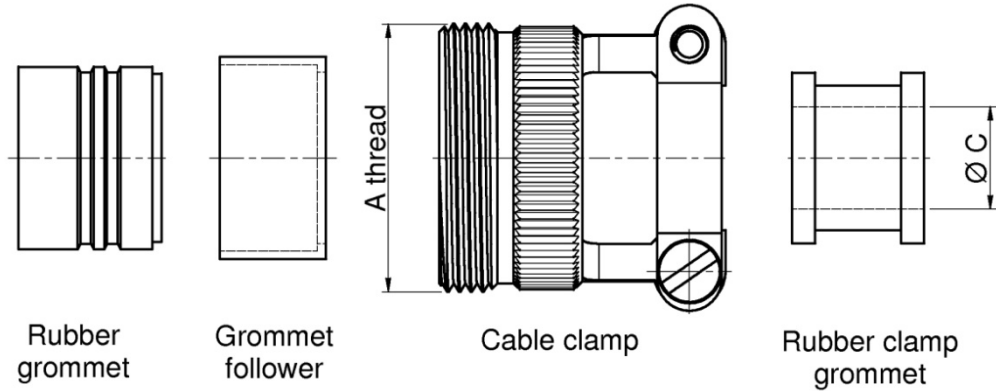
Shell size	A Std	B Long	Contact Arrgt.	Weald Part No. Standard / Long	BS 9000 Part No. Standard (Long version N/A)	ØC max. cable dia. [mm]	D thread to BS 1580 2B
08	29.21	41.68	08-02	LMA1038-08-02-00 / LMA1040-08-02-00	A2103-08-02-0	4.1	0.4375" – 28 UNEF
			08-98	LMA1038-08-98-00 / LMA1040-08-98-00	A2103-08-98-0		
			08-04	LMA1038-08-04-00 / LMA1040-08-04-00	A2103-08-04-0		
			08-33	LMA1038-08-33-00 / LMA1040-08-33-00	A2103-08-33-0		
10	29.21	41.68	10-02	LMA1038-10-02-00 / LMA1040-10-02-00	A2103-10-02-0	5.1	0.5625" – 24 UNEF
			10-06	LMA1038-10-06-00 / LMA1040-10-06-00	A2103-10-06-0		
			10-07	LMA1038-10-07-00 / LMA1040-10-07-00	A2103-10-07-0		
12	29.21	45.24	12-03	LMA1038-12-03-00 / LMA1040-12-03-00	A2103-12-03-0	8.4	0.6875" – 24 UNEF
			12-08	LMA1038-12-08-00 / LMA1040-12-08-00	A2103-12-08-0		
			12-10	LMA1038-12-10-00 / LMA1040-12-10-00	A2103-12-10-0		
			12-14*	LMA2201-12-00-00 / Long ver. N/A	N/A		
14	29.21	N/A	14-02*	LMA2201-14-00-00 / Long ver. N/A	N/A	9.9	0.8125" – 20 UNEF
		N/A	14-04*	LMA2201-14-00-00 / Long ver. N/A	N/A		
		50.01	14-05	LMA1038-14-05-00 / LMA1040-14-05-00	A2103-14-05-0		
		N/A	14-07*	LMA2201-14-00-00 / Long ver. N/A	N/A		
		50.01	14-12	LMA1038-14-12-00 / LMA1040-14-12-00	A2103-14-12-0		
			14-15	LMA1038-14-15-00 / LMA1040-14-15-00	A2103-14-15-0		
			14-19	LMA1038-14-19-00 / LMA1040-14-19-00	A2103-14-19-0		
N/A	14-22*	LMA2201-14-00-00 / Long ver. N/A	N/A				
16	33.52	N/A	16-04*	LMA2201-16-00-00 / Long ver. N/A	N/A	13.0	0.9375" – 20 UNEF
		58.75	16-08	LMA1038-16-08-00 / LMA1040-16-08-00	N/A		
			16-26	LMA1038-16-26-00 / LMA1040-16-26-00	A2103-16-26-0		
18	33.52	N/A	18-02*	LMA2201-18-00-00 / Long ver. N/A	N/A	16.3	1.0625" – 18 UNEF
		64.57	18-11	LMA1038-18-11-00 / LMA1040-18-11-00	N/A		
			18-32	LMA1038-18-32-00 / LMA1040-18-32-00	A2103-18-32-0		
20	34.79	75.69	20-16	LMA1038-20-16-00 / LMA1040-20-16-00	N/A	16.3	1.1875" – 18 UNEF
			20-41	LMA1038-20-41-00 / LMA1040-20-41-00	A2103-20-41-0		
22	34.79	N/A	22-04*	LMA2201-22-00-00 / Long ver. N/A	N/A	19.3	1.3125" – 18 UNEF
		79.66	22-55	LMA1038-22-55-00 / LMA1040-22-55-00	A2103-22-55-0		
24	34.79	85.22	24-61	LMA1038-24-61-00 / LMA1040-24-61-00	A2103-24-61-0	20.6	1.4375" – 18 UNEF

* - Rubber grommet is omitted

LMH RANGE ACCESSORIES

CABLE CLAMP ASSEMBLY WITH CLAMP GROMMET AND EXTERNAL THREAD

N.B. These cable clamps are not included in the BS or CECC Specifications
Suitable for use with 07T style connectors.



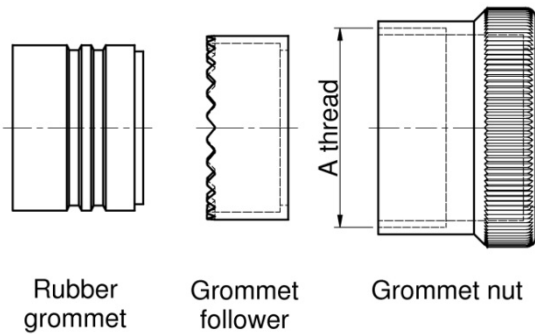
Shell size	Contact Arrgt.	Weald Part No.	ØC max. cable dia. [mm]	A thread to BS 1580 2A
08	08-02	LMA1186-08-02-00	4.1	0.625" – 24 UNEF
	08-98	LMA1186-08-98-00		
	08-04	LMA1186-08-04-00		
	08-33	LMA1186-08-33-00		
10	10-02	LMA1186-10-02-00	5.1	0.75" – 20 UNEF
	10-06	LMA1186-10-06-00		
	10-07	LMA1186-10-07-00		
12	12-03	LMA1186-12-03-00	8.4	0.875" – 20 UNEF
	12-08	LMA1186-12-08-00		
	12-10	LMA1186-12-10-00		
	12-14*	LMA2204-12-00-00		
14	14-02*	LMA2204-14-00-00	9.9	1" – 20 UNEF
	14-04*	LMA2204-14-00-00		
	14-05	LMA1186-14-05-00		
	14-07*	LMA2204-14-00-00		
	14-12	LMA1186-14-12-00		
	14-15	LMA1186-14-15-00		
	14-19	LMA1186-14-19-00		
	14-22*	LMA2204-14-00-00		
16	16-04*	LMA2204-16-00-00	13.0	1.125" – 18 UNEF
	16-08	LMA1186-16-08-00		
	16-26	LMA1186-16-26-00		
18	18-02*	LMA2204-18-00-00	16.3	1.25" - 18 UNEF
	18-11	LMA1186-18-11-00		
	18-32	LMA1186-18-32-00		
20	20-16	LMA1186-20-16-00	16,3	1.375" - 18 UNEF
	20-41	LMA1186-20-41-00		
22	22-04*	LMA2204-22-00-00	19.3	1.5" - 18 UNEF
	22-55	LMA1186-22-55-00		
24	24-61	LMA1186-24-61-00	20.6	1.625" - 18 UNEF

* - Rubber grommet is omitted

LMH RANGE ACCESSORIES

GROMMET NUT ASSEMBLY WITH INTERNAL THREAD

CECC part numbers for grommet nut assemblies – refer to page 15
Suitable for use with 00, 01, 06, 46 & 47 style connectors (excluding 46TG 245/255/265)

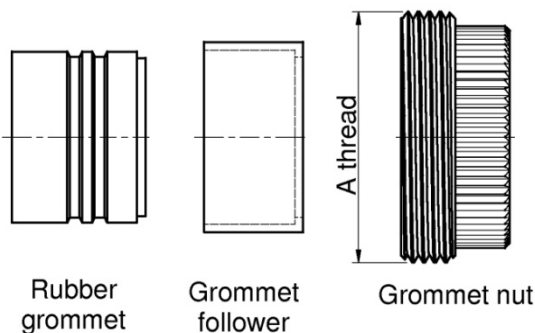


* - Rubber grommet is omitted

Shell size	Contact Arrgt.	Weald Part No.	BS 9000 Part No.	A thread to BS 1580 2B
08	08-02	LMA1039-08-02-00	A2102-08-02-0	0.4375" – 28 UNEF
	08-98	LMA1039-08-98-00	A2102-08-98-0	
	08-04	LMA1039-08-04-00	A2102-08-04-0	
	08-33	LMA1039-08-33-00	A2102-08-33-0	
10	10-02	LMA1039-10-02-00	A2102-10-02-0	0.5625" – 24 UNEF
	10-06	LMA1039-10-06-00	A2102-10-06-0	
	10-07	LMA1039-10-07-00	A2102-10-07-0	
12	12-03	LMA1039-12-03-00	A2102-12-03-0	0.6875" – 24 UNEF
	12-08	LMA1039-12-08-00	A2102-12-08-0	
	12-10	LMA1039-12-10-00	A2102-12-10-0	
	12-14*	LMA2202-12-00-00	N/A	
14	14-02*	LMA2202-14-00-00	N/A	0.8125" – 20 UNEF
	14-04*	LMA2202-14-00-00	N/A	
	14-05	LMA1039-14-05-00	A2102-14-05-0	
	14-07*	LMA2202-14-00-00	N/A	
	14-12	LMA1039-14-12-00	A2102-14-12-0	
	14-15	LMA1039-14-15-00	A2102-14-15-0	
	14-19	LMA1039-14-19-00	A2102-14-19-0	
16	16-04*	LMA2202-16-00-00	N/A	0.9375" – 20 UNEF
	16-08	LMA1039-16-08-00	N/A	
	16-26	LMA1039-16-26-00	A2102-16-26-0	
18	18-02*	LMA2202-18-00-00	N/A	1.0625" – 18 UNEF
	18-11	LMA1039-18-11-00	N/A	
	18-32	LMA1039-18-32-00	A2102-18-32-0	
20	20-16	LMA1039-20-16-00	N/A	1.1875" – 18 UNEF
	20-41	LMA1039-20-41-00	A2102-20-41-0	
22	22-04*	LMA2202-22-00-00	N/A	1.3125" – 18 UNEF
	22-55	LMA1039-22-55-00	A2102-22-55-0	
24	24-61	LMA1039-24-61-00	A2102-24-61-0	1.4375" – 18 UNEF

GROMMET NUT ASSEMBLY WITH EXTERNAL THREAD

N.B. These grommet nuts are not included in the BS or CECC Specifications
Suitable for use with 07T style connectors



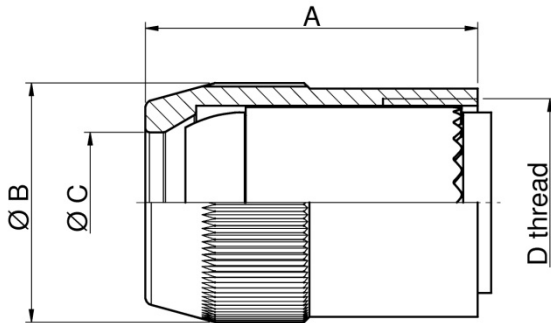
Shell size	Contact Arrgt.	Weald Part No.	A thread to BS 1580 2A
08	08-02	LMA1181-08-02-00	0.625" – 24 UNEF
	08-98	LMA1181-08-98-00	
	08-04	LMA1181-08-04-00	
	08-33	LMA1181-08-33-00	
10	10-02	LMA1181-10-02-00	0.75" – 20 UNEF
	10-06	LMA1181-10-06-00	
	10-07	LMA1181-10-07-00	
12	12-03	LMA1181-12-03-00	0.875" – 20 UNEF
	12-08	LMA1181-12-08-00	
	12-10	LMA1181-12-10-00	
	12-14	N/A	
14	14-02	N/A	1" – 20 UNEF
	14-04	N/A	
	14-05	LMA1181-14-05-00	
	14-07	N/A	
	14-12	LMA1181-14-12-00	
	14-15	LMA1181-14-15-00	
	14-19	LMA1181-14-19-00	
16	16-04	N/A	1.125" – 18 UNEF
	16-08	LMA1181-16-08-00	
	16-26	LMA1181-16-26-00	
18	18-02	N/A	1.25" - 18 UNEF
	18-11	LMA1181-18-11-00	
	18-32	LMA1181-18-32-00	
20	20-16	LMA1181-20-16-00	1.375" - 18 UNEF
	20-41	LMA1181-20-41-00	
22	22-04	N/A	1.5" - 18 UNEF
	22-55	LMA1181-22-55-00	
24	24-61	LMA1181-24-61-00	1.625" - 18 UNEF

LMH RANGE ACCESSORIES

J SEALING GLANDS

N.B. These glands are not included in the BS or CECC Specifications

Suitable for use with 00, 01, 06, 46 & 47 style connectors (excluding 46TG 245/255/265)

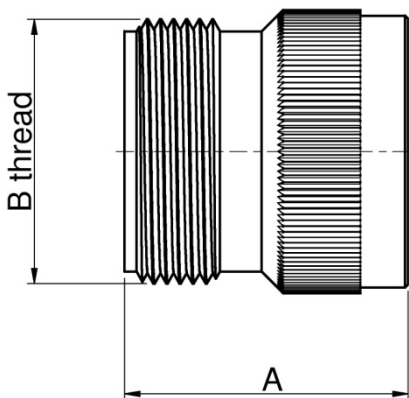


Shell size	Weald Part Number	A Nom. [mm]	ØB Nom. [mm]	ØC Cable entry max [mm]	D thread to BS 1580 2B
08	LMA1110-08-00-00	25.27	14.27	5.8	0.4375" – 28 UNEF
10	LMA1110-10-00-00	28.03	17.45	7.9	0.5625" – 24 UNEF
12	LMA1110-12-00-00	29.19	20.62	11.2	0.6875" – 24 UNEF
14	LMA1110-14-00-00	32.28	23.80	13.7	0.8125" – 20 UNEF
16	LMA1110-16-00-00	38.61	26.97	15.6	0.9375" – 20 UNEF
18	LMA1110-18-00-00	43.94	30.15	17.6	1.0625" – 18 UNEF
20	LMA1110-20-00-00	49.02	33.32	19.0	1.1875" – 18 UNEF
22	LMA1110-22-00-00	54.23	36.50	21.5	1.3125" – 18 UNEF
24	LMA1110-24-00-00	57.66	39.67	22.7	1.4375" – 18 UNEF

A ENDBELL ADAPTOR

N.B. These adaptors are not included in the BS or CECC Specifications

Suitable for use with 00, 01, 06, 46 & 47 style connectors (excluding 46TG 245/255/265)

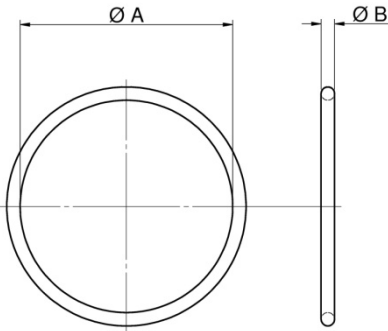


Shell size	Weald Part Number	If required will suit LMA3057 type cable clamp	A [mm]	B thread to BS 1580 2A
08	LMA1036-08-00-00	-	23.8	0.5" – 28 UNEF
10	LMA1036-10-00-00	LMA3057-4A	23.8	0.625" – 24 UNEF
12	LMA1036-12-00-00	LMA3057-6A	23.8	0.75" – 20 UNEF
14	LMA1036-14-00-00	LMA3057-8A	23.8	0.875" – 20 UNEF
16	LMA1036-16-00-00	LMA3057-10A	23.8	1" – 20 UNEF
18	LMA1036-18-00-00	LMA3057-12A	23.8	1.1875" – 18 UNEF
20	LMA1036-20-00-00	LMA3057-12A	23.8	1.1875" – 18 UNEF
22	LMA1036-22-00-00	LMA3057-16A	23.8	1.4375" – 18 UNEF
24	LMA1036-24-00-00	LMA3057-16A	23.8	1.4375" – 18 UNEF

LMH RANGE ACCESSORIES

ELECTRICALLY CONDUCTIVE 'O' RING SEAL

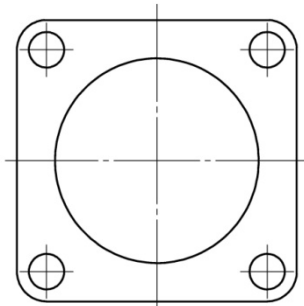
N.B. These seals are not included in the BS or CECC Specifications
Suitable for use with 07 & 47 style connectors



Shell size	ØA [mm]	ØB [mm]	Weald Part Number
08	17.17	1.78	LMA8527-08-00-00
10	20.35	1.78	LMA8527-10-00-00
12	25.12	1.78	LMA8527-12-00-00
14	28.30	1.78	LMA8527-14-00-00
16	31.47	1.78	LMA8527-16-00-00
18	34.65	1.78	LMA8527-18-00-00
20	37.78	2.62	LMA8527-20-00-00
22	40.95	2.62	LMA8527-22-00-00
24	44.12	2.62	LMA8527-24-00-00

SQUARE FLANGE MOUNTING GASKET

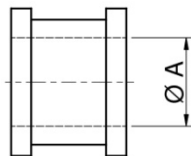
N.B. These seals are not included in the BS or CECC Specifications
Suitable for use with 00 & 02A style connectors



Shell size	Weald Part Number Standard rubber	Weald Part Number Electrically conductive rubber
08	LMA1071-08-00-00	LMA8526-08-00-00
10	LMA1071-10-00-00	LMA8526-10-00-00
12	LMA1071-12-00-00	LMA8526-12-00-00
14	LMA1071-14-00-00	LMA8526-14-00-00
16	LMA1071-16-00-00	LMA8526-16-00-00
18	LMA1071-18-00-00	LMA8526-18-00-00
20	LMA1071-20-00-00	LMA8526-20-00-00
22	LMA1071-22-00-00	LMA8526-22-00-00
24	LMA1071-24-00-00	LMA8526-24-00-00

RUBBER CLAMP GROMMET

CECC part numbers for rubber clamp grommets – refer to page 15
Suitable for use with 00, 01, 06, 46 and 07T style connectors

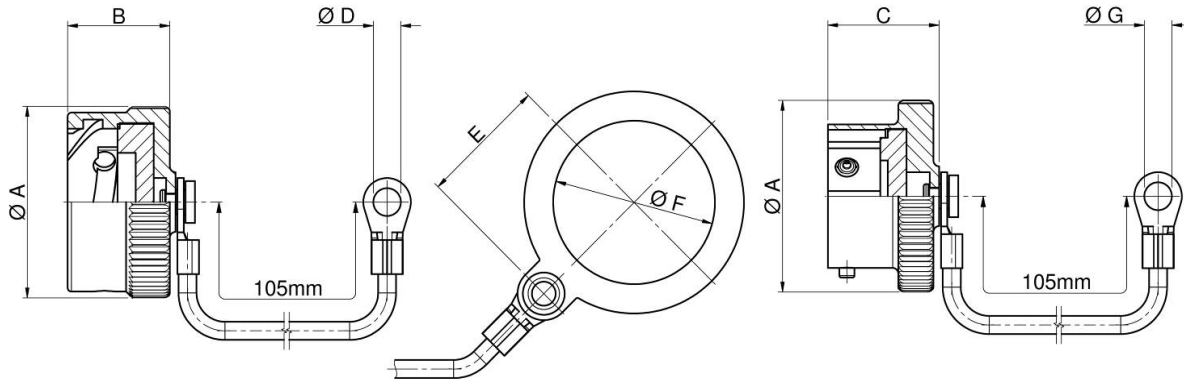


Shell size	Weald Part Number	B.S. 9000 Part Number	ØA max cable dia. [mm]
08	LMA1025-08-00-00	A2011-08-00-0	4.1
10	LMA1025-10-00-00	A2011-10-00-0	5.1
12	LMA1025-12-00-00	A2011-12-00-0	8.4
14	LMA1025-14-00-00	A2011-14-00-0	9.9
16	LMA1025-16-00-00	A2011-16-00-0	13.0
18	LMA1025-18-00-00	A2011-18-00-0	16.3
20	LMA1025-20-00-00	A2011-20-00-0	16.3
22	LMA1025-22-00-00	A2011-22-00-0	19.3
24	LMA1025-24-00-00	A2011-24-00-0	20.6

LMH/LMHF RANGE ACCESSORIES

PROTECTIVE CAPS

The caps are machined from aluminium alloy and the normal finish is corrosion resistant olive drab chromate conversion over cadmium plate. All are fitted with woven restraining cords or ball chain link assemblies and are fitted with fluid resistant gaskets. They will fit neutral or orientated connectors. It is strongly recommended that these are fitted to provide protection when connectors are not in use.



Suitable for use with fixed square flange mounting connectors

Suitable for use with fixed single hole mounting connectors

Suitable for use with free connectors

Shell size	Fixed square flange	Fixed single hole mounting	Free	Dimensions						
	Weald Pt. No. cord Weald Pt. No. chain BS9000 Pt. No. cord BS9000 Pt. No. chain	Weald Pt. No. cord Weald Pt. No. chain BS9000 Pt. No. cord BS9000 Pt. No. chain	Weald Pt. No. cord Weald Pt. No. chain BS9000 Pt. No. cord BS9000 Pt. No. chain	ØA [mm]	B [mm]	C [mm]	ØD [mm]	E [mm]	ØF [mm]	ØG [mm]
08	LMA1054-08-00-00 LMA1065-08-00-00 A2013-08-00-1 A2013-08-00-2	LMA1055-08-00-00 LMA1066-08-00-00 A2014-08-00-1 A2014-08-00-2	LMA1053-08-00-00 LMA1067-08-00-00 A2012-08-00-1 A2012-08-00-2	19.00	14.55	14.43	3.63	14.94	14.91	3.63
10	LMA1054-10-00-00 LMA1065-10-00-00 A2013-10-00-1 A2013-10-00-2	LMA1055-10-00-00 LMA1066-10-00-00 A2014-10-00-1 A2014-10-00-2	LMA1053-10-00-00 LMA1067-10-00-00 A2012-10-00-1 A2012-10-00-2	21.79	14.55	14.43	3.63	16.79	18.11	3.63
12	LMA1054-12-00-00 LMA1065-12-00-00 A2013-12-00-1 A2013-12-00-2	LMA1055-12-00-00 LMA1066-12-00-00 A2014-12-00-1 A2014-12-00-2	LMA1053-12-00-00 LMA1067-12-00-00 A2012-12-00-1 A2012-12-00-2	25.35	14.55	14.43	3.63	19.53	22.88	3.63
14	LMA1054-14-00-00 LMA1065-14-00-00 A2013-14-00-1 A2013-14-00-2	LMA1055-14-00-00 LMA1066-14-00-00 A2014-14-00-1 A2014-14-00-2	LMA1053-14-00-00 LMA1067-14-00-00 A2012-14-00-1 A2012-14-00-2	28.52	14.55	14.43	3.63	21.36	26.08	3.63
16	LMA1054-16-00-00 LMA1065-16-00-00 A2013-16-00-1 A2013-16-00-2	LMA1055-16-00-00 LMA1066-16-00-00 A2014-16-00-1 A2014-16-00-2	LMA1053-16-00-00 LMA1067-16-00-00 A2012-16-00-1 A2012-16-00-2	31.70	14.55	14.43	3.63	23.19	29.23	3.63
18	LMA1054-18-00-00 LMA1065-18-00-00 A2013-18-00-1 A2013-18-00-2	LMA1055-18-00-00 LMA1066-18-00-00 A2014-18-00-1 A2014-18-00-2	LMA1053-18-00-00 LMA1067-18-00-00 A2012-18-00-1 A2012-18-00-2	34.87	14.55	14.43	3.63	25.02	32.41	4.29
20	LMA1054-20-00-00 LMA1065-20-00-00 A2013-20-00-1 A2013-20-00-2	LMA1055-20-00-00 LMA1066-20-00-00 A2014-20-00-1 A2014-20-00-2	LMA1053-20-00-00 LMA1067-20-00-00 A2012-20-00-1 A2012-20-00-2	38.05	14.55	16.00	3.63	26.87	35.58	4.29
22	LMA1054-22-00-00 LMA1065-22-00-00 A2013-22-00-1 A2013-22-00-2	LMA1055-22-00-00 LMA1066-22-00-00 A2014-22-00-1 A2014-22-00-2	LMA1053-22-00-00 LMA1067-22-00-00 A2012-22-00-1 A2012-22-00-2	41.22	14.55	16.00	3.63	28.70	38.76	4.29
24	LMA1054-24-00-00 LMA1065-24-00-00 A2013-24-00-1 A2013-24-00-2	LMA1055-24-00-00 LMA1066-24-00-00 A2014-24-00-1 A2014-24-00-2	LMA1053-24-00-00 LMA1067-24-00-00 A2012-24-00-1 A2012-24-00-2	44.40	15.34	16.00	4.29	30.53	41.93	4.29

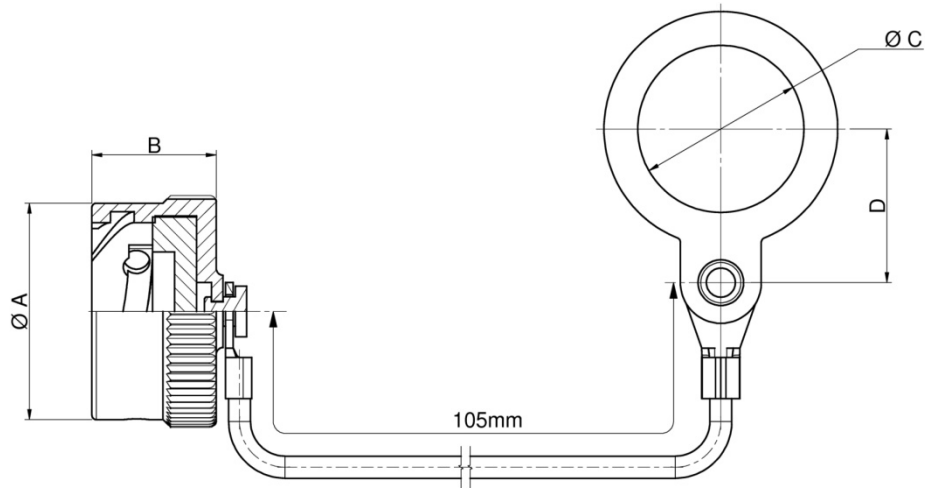
CECC part numbers for protective caps – refer to page 15

**LMH/LMHF RANGE
ACCESSORIES**

PROTECTIVE CAPS

Suitable for use with 01 style connectors

N.B. These protective caps are not included in the BS or CECC Specifications



Shell size	Weald Part Number	ØA [mm]	B [mm]	ØC [mm]	D [mm]
08	LMA1190-08-00-00	19.00	14.55	11.60	13.80
10	LMA1190-10-00-00	21.79	14.55	14.91	14.94
12	LMA1190-12-00-00	25.35	14.55	18.11	16.79
14	LMA1190-14-00-00	28.52	14.55	22.88	19.53
16	LMA1190-16-00-00	31.70	14.55	26.08	21.36
18	LMA1190-18-00-00	34.87	14.55	29.23	23.19
20	LMA1190-20-00-00	38.05	14.55	32.41	25.02
22	LMA1190-22-00-00	41.22	14.55	35.58	26.87
24	LMA1190-24-00-00	44.40	15.34	38.76	28.70

LMHF RANGE
FILTERED CONNECTORS
FILTERED CONNECTORS WITH ELECTRO-MAGNETIC INTERFERENCE SUPPRESSION FILTERS



The Weald Electronics LMHF range offers superior specification, enhanced reliability and extended life. Based on the Weald LMH (MIL-DTL-26482) range, connectors can be offered in the fixed square flange or single hole mounting shell styles.

ADVANTAGES OF USING WEALD FILTERED CONNECTORS

- ✓ Eliminates internal bulkhead for mounting discrete filters
- ✓ Eliminates connector to filter wiring thus reducing assembly time and costs
- ✓ Reduces space envelope required for filtering
- ✓ Reduces overall weight

Weald filtered connectors incorporate multilayer ceramic planar capacitor arrays to form the capacitive filtering elements. These enable a variety of filter configurations and values to be realised. For example, 'C', 'LC', and 'Pi' section filtering can all be accommodated along with a selection of standard capacitance values from 0.75 to 20nF.

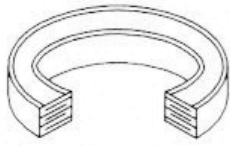
Connection to the planar array, both for contact to the pins and to the shell, is made through compliant mechanisms. Precision machined and photoetched components provide excellent mechanical and thermal stress relief arising from everyday use.

Compliant contacts between the connector pins and the ceramic relieve the stresses incurred as pins align to sockets during mating/demating cycles. They also provide excellent thermal stress relief from temperature shocks associated with soldering the contact tails. A compliant ground band further protects from stresses resulting from thermal cycling. This approach leads to excellent performance throughout the operational life of the connector.

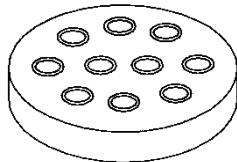
Less robust design may suffer from a gradual continuous degradation in performance due to stress microcracking, which may go unnoticed early in the system's life.

LMHF RANGE LMHF EMI SUPPRESSION FILTER CONNECTORS

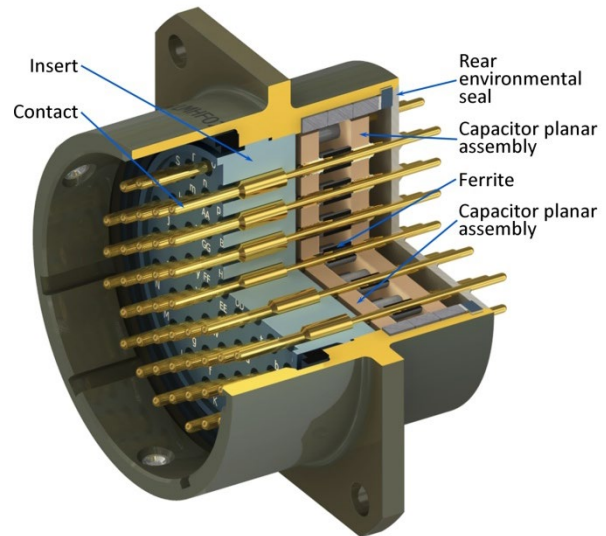
THE FILTERING CONSTRUCTION



Single multi Layer Capacitor



Multiple capacitor planar array
(shown with 10 single multilayer capacitors)



Typical Pi section filter construction within a square flange shell

FILTER TYPES AVAILABLE

All measurements in this catalogue are quoted in reference to a 50 Ohm system. The performance of a suppression filter is normally measured in a circuit where both the source and load impedance are 50 Ohms. 50 Ohms is considered to be an industry standard for many practical reasons. However, should a situation arise where the system is not 50 Ohms we can provide graphs of typical insertion loss on request.

Circuit Styles

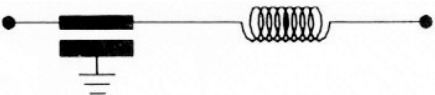
C STYLE CAPACITANCE FILTER

Used where source and load impedance are high. C filters are used where high insertion loss is not required at low frequencies.



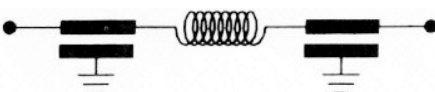
LC INDUCTOR AND CAPACITOR

Generally used in systems where source and load impedances are dissimilar. (The inductance is generally placed at the lower impedance side).



Pi CAPACITOR x 2 PLUS 1 INDUCTOR

The Pi filter gives high insertion loss at low frequencies.



Electrical characteristics

- Dielectric withstand voltage 500V DC
 - Earth path 5mΩ
 - Working voltage 200V DC – 125V AC rms
 - Current 7,5 amp (size 20 contacts)
 - Temperature - 55°C to + 125°C
- De-rates linearly between
85°C and 125°C
- 200V DC @ 85°C becomes
100V DC @ 125°C
- Insulation resistance 100MΩ @ 25°C
 - Contact resistance 5mΩ @ 25°C
 - Termination PCB spill

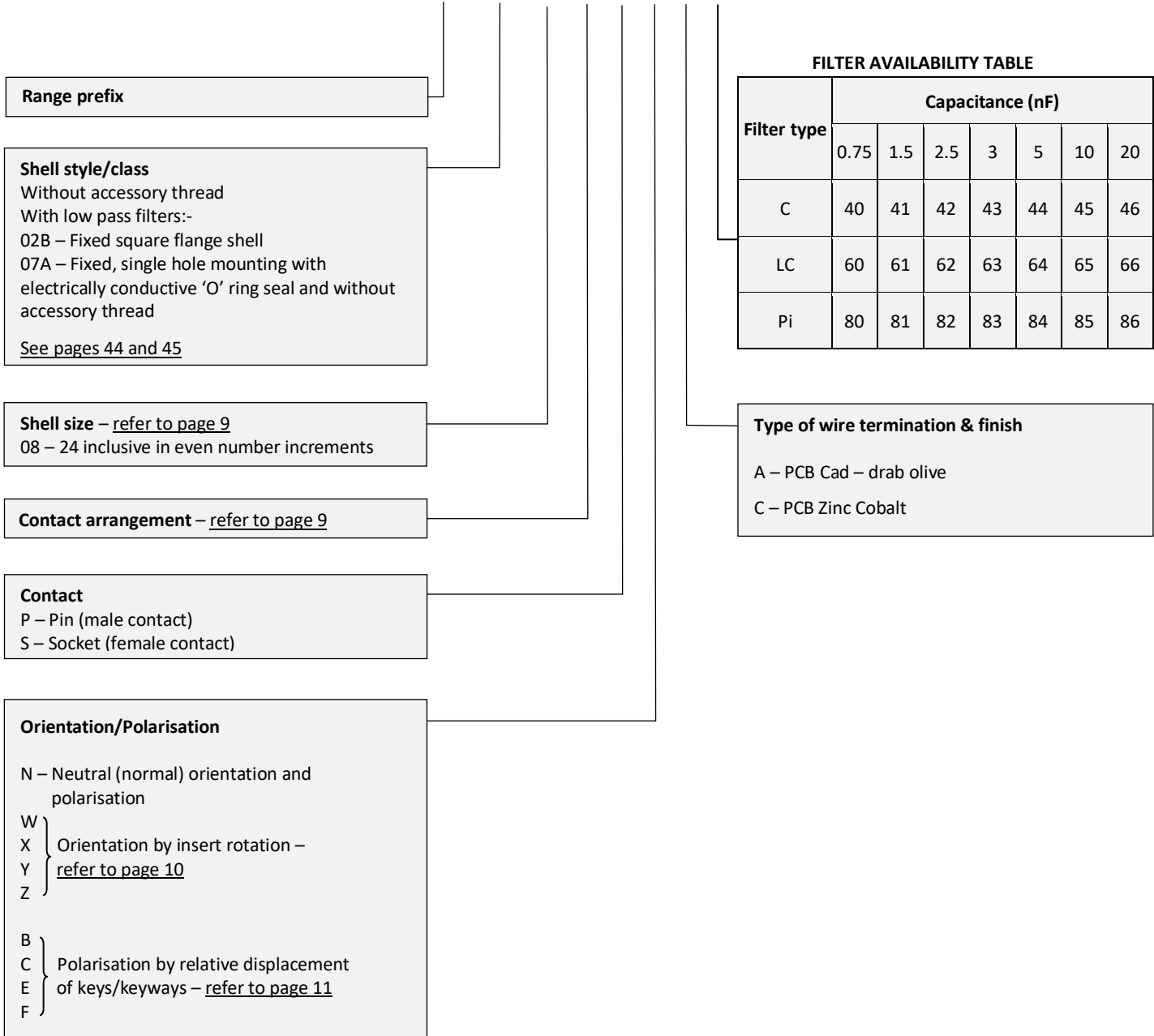
Tested to Weald Specification WES 039.

Copy available on request.

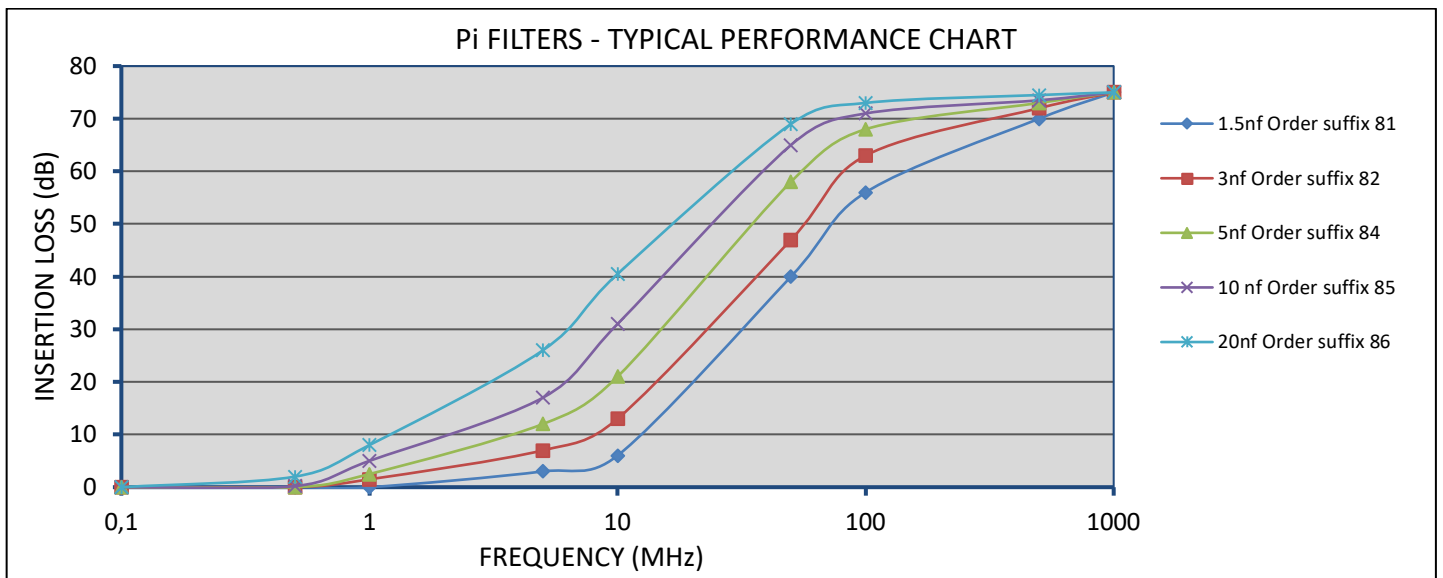
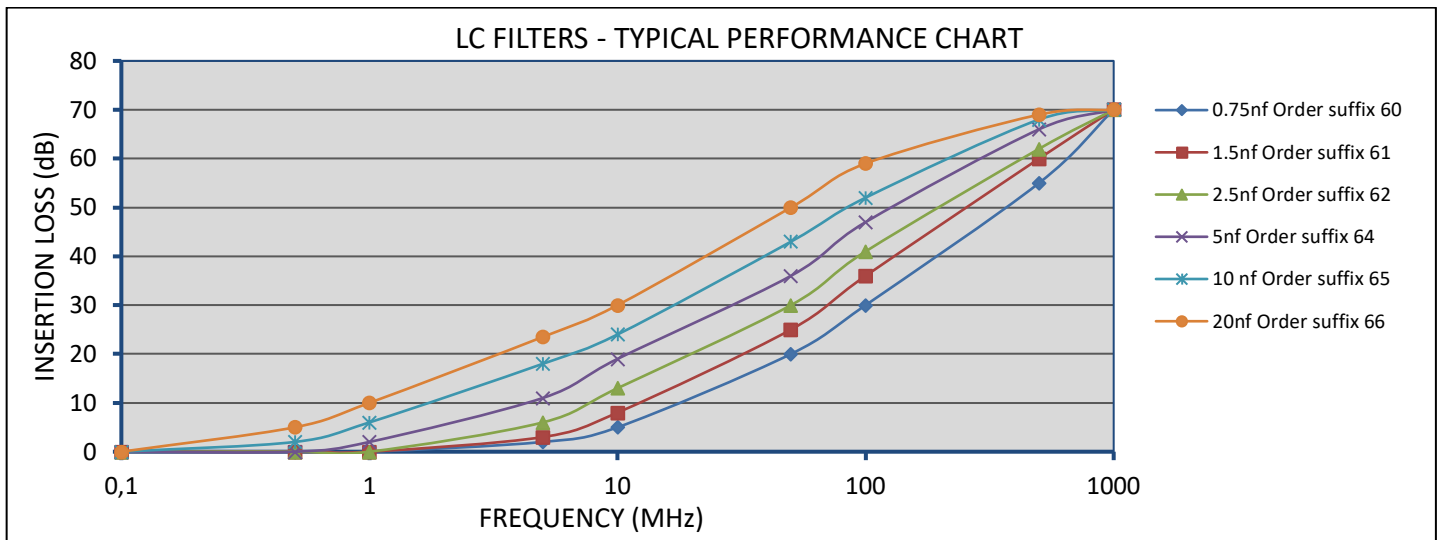
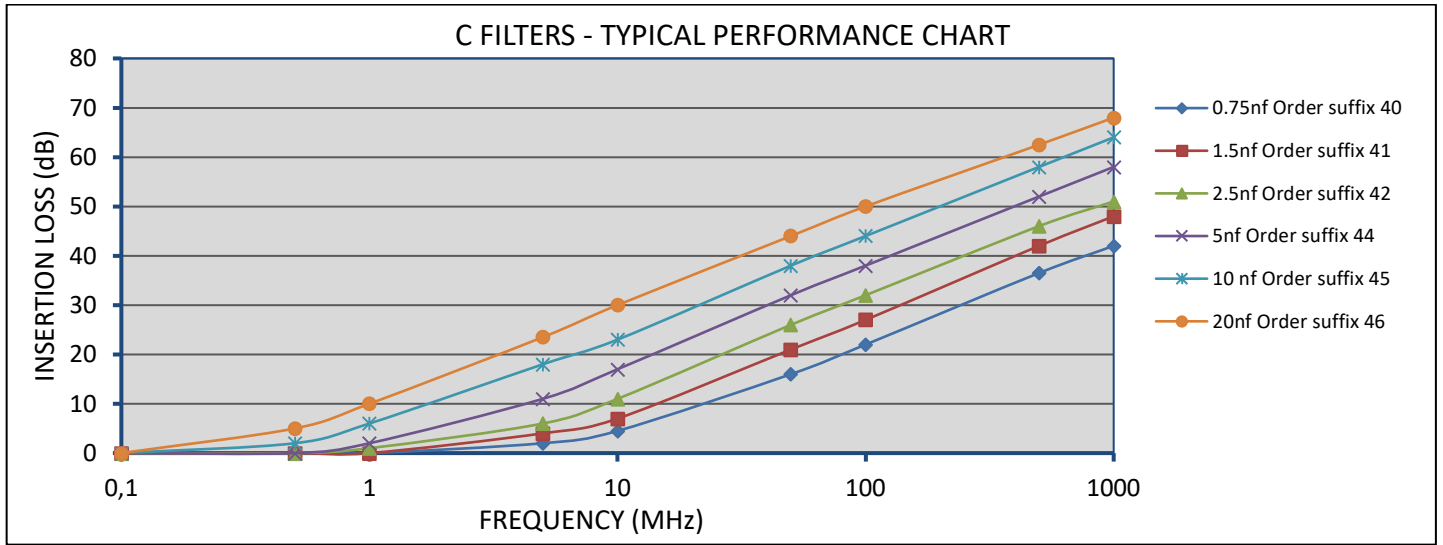
LMHF RANGE WEALD CODE ORDERING INFORMATION

CONNECTORS

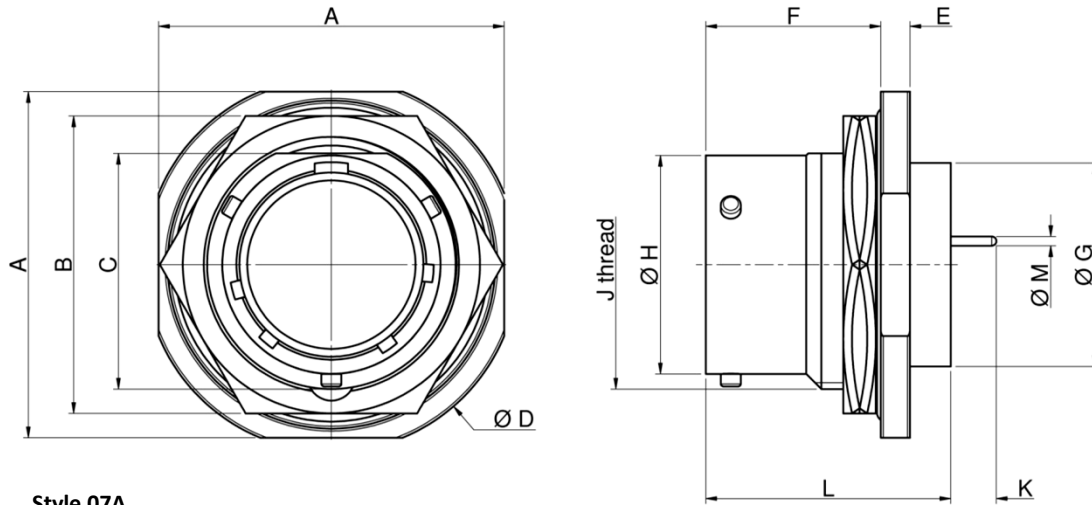
EXAMPLE LMHF 02B 14 19 P N A 41



LMHF RANGE FILTER SELECTION



LMHF RANGE
STYLE 07A FILTER CONNECTOR



Style 07A

Fixed, single hole mounting with electrically conductive 'O' ring seal and without accessory thread

Shell size	A max [mm]	B max [mm]	C max [mm]	ØD max [mm]	E max [mm]	F max [mm]	ØG max [mm]	ØH max [mm]	J thread to BS 1580 2A	K max [mm]	L max [mm]	ØM max [mm]
08	24.23	19.48	13.46	27.38	3.48	18.34	11.91	12.04	0.5625" - 24 UNEF	5.00	24.90	0.82
10	27.38	22.66	16.63	30.55	3.48	18.34	15.06	15.01	0.6875" - 24 UNEF	5.00	24.90	0.82
12	32.15	27.41	20.77	35.33	3.48	18.34	18.26	19.08	0.875" - 20 UNEF	5.00	24.90	0.82
14	35.33	30.61	23.93	38.50	3.48	18.34	21.41	22.25	1" - 20 UNEF	5.00	24.90	0.82
16	38.51	33.76	27.08	41.68	3.48	18.34	24.61	25.42	1.125" - 18 UNEF	5.00	25.05	0.82
18	41.68	36.96	30.25	44.86	3.48	18.34	27.76	28.60	1.25" - 18 UNEF	5.00	25.20	0.82
20	46.43	40.11	33.42	49.63	4.27	23.11	28.70	31.77	1.375" - 18 UNEF	5.00	28.55	0.82
22	49.63	43.31	36.60	52.78	4.27	23.11	30.96	34.95	1.5" - 18 UNEF	5.00	28.70	0.82
24	52.78	46.46	39.78	55.96	4.27	23.95	31.31	38.12	1.625" - 18 UNEF	5.00	28.70	0.82

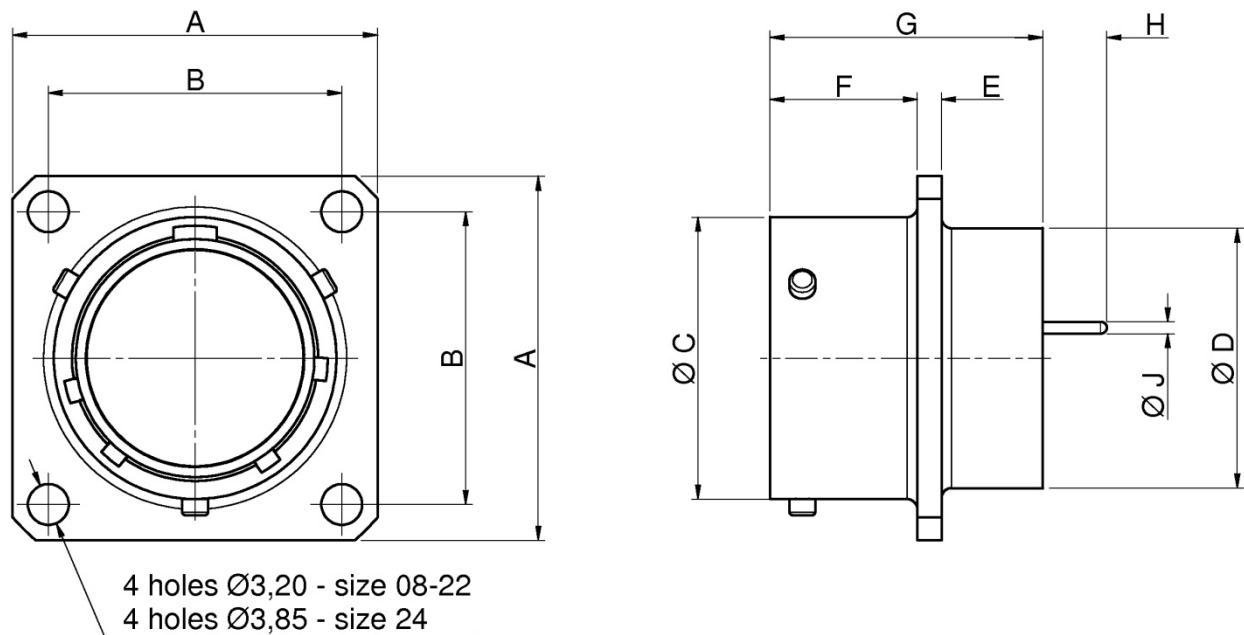
For filter styles and values [see page 43](#).

For contact arrangements available for each size [see page 9](#).

For orientation and polarisation options available [see pages 10 and 11](#).

For panel piercing details [see page 47](#).

LMHF RANGE STYLE 02B FILTER CONNECTOR



Style 02B

Fixed, square flange mounting without accessory thread

Shell size	A square max [mm]	B ± 0.15 [mm]	ØC max [mm]	ØD max [mm]	E max [mm]	F max [mm]	G max [mm]	H max [mm]	J max [mm]
08	21.03	15.08	12.04	11.91	2.00	11.73	24.90	5.00	0.82
10	24.23	18.26	15.01	15.06	2.00	11.73	24.90	5.00	0.82
12	26.59	20.62	19.07	18.26	2.00	11.73	24.90	5.00	0.82
14	28.98	23.01	22.25	21.41	2.00	11.73	24.90	5.00	0.82
16	31.34	24.61	25.42	24.61	2.00	11.73	25.05	5.00	0.82
18	33.73	26.97	28.60	27.76	2.00	11.73	25.20	5.00	0.82
20	36.91	29.36	31.77	30.96	2.80	14.91	28.55	5.00	0.82
22	40.08	31.75	34.95	34.11	2.80	14.91	28.70	5.00	0.82
24	43.26	34.93	38.12	37.31	2.80	14.91	28.70	5.00	0.82

For filter styles and values see [page 43](#).

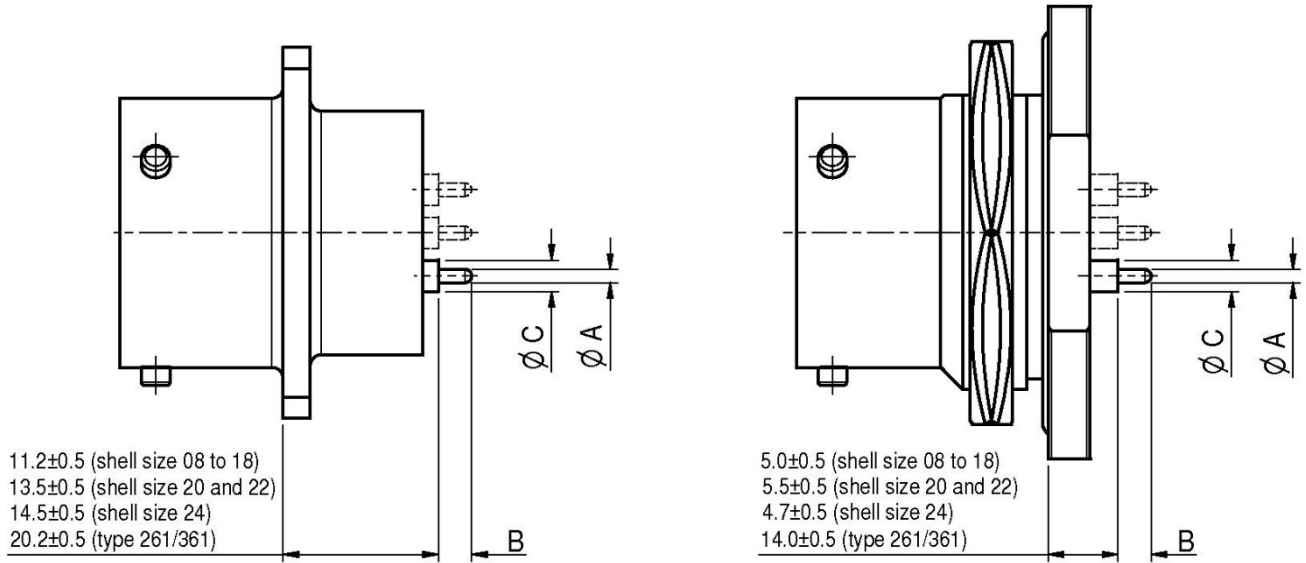
For contact arrangements available for each size see [page 9](#).

For orientation and polarisation options available see [pages 10 and 11](#).

For panel piercing details see [page 47](#).

LMH RANGE PCB CONTACT DETAILS

OUTLINE DIMENSIONS



Style 02A

Fixed square flange mounting,
without accessory thread

Style 07A

Fixed single hole mounting with 'O' ring
panel seal, without accessory thread

Order Suffix (shell plating in brackets)	Contact Size	ØA ** ± 0.025 [mm]	B ** ± 0.06 [mm]	ØC ** ± 0.03 [mm]
203 (Cadmium) 303 (Zinc Cobalt)	#20	0.915	2.35	2.20
	#16	0.915	2.35	2.92
205 (Cadmium) 365 (Zinc Cobalt)	#20	0.915	5.0	2.20
	#16*	0.915*	5.0*	2.20*
207 (Cadmium) 307 (Zinc Cobalt)	#20	0.737	2.35	1.50
	#16	0.737	2.35	1.50
247 (Cadmium) 347 (Zinc Cobalt)	#20	0.737	4.0	1.50
	#16*	0.737*	4.0*	1.50*
261 (Cadmium) 361 (Zinc Cobalt) Only available in shell sizes 08 to 18	#20	0.737	4.0	2.20
	#16*	0.737*	4.0*	2.20*

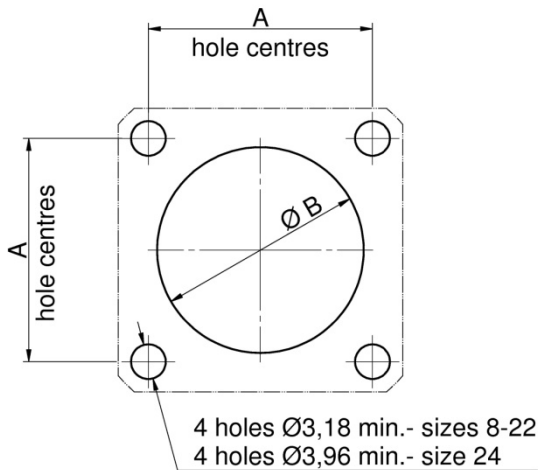
* Contact Sales office before ordering.

** Other terminal lengths and diameters available on request.

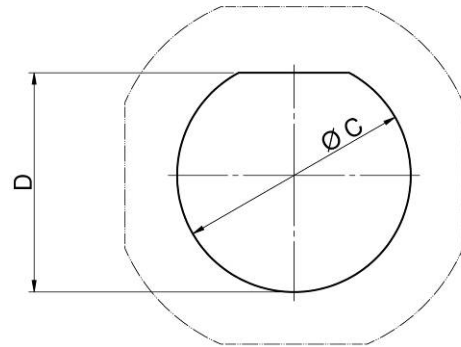
LMH/LMHF RANGE ASSEMBLY INSTRUCTIONS

PANEL PIERCING DETAILS

For all fixed square flange shell



For all fixed single hole mounting shell styles



Max. panel thickness:
Front mounting: 9.5mm
Rear mounting: 2.21mm – sizes 8-18
5.38mm – sizes 20-24
Fixing bolts are required when mounting.
These are NOT supplied with the connector.

Shell styles 07A, 07T and 47 T are designed for rear panel mounting only.
When mounted in the correct manner a pressure proof seal is achieved at the panel face.

Min. panel thickness: 1.5mm
Max. panel thickness: 3.3mm - shell sizes 08-18, styles 07A and 07T
2.0mm - shell sizes 08-18, styles 47T
6.4mm – shell sizes 20-24
5.0mm - shell sizes 20-24, styles 47T
(including protective cap washer when used)

PANEL PIERCING DIMENSIONS					
Shell size	A ± 0.15 [mm]	$\varnothing B$ + 0.25 0 [mm]		$\varnothing C$ + 0.25 0 [mm]	D + 0.12 - 0 [mm]
		for back mounting	for front mounting		
08	15.1	14.0	12.7	14.5	13.6
10	18.3	17.0	16.0	17.7	16.8
12	20.6	22.0	19.0	22.7	20.9
14	23.0	25.0	22.2	25.7	24.1
16	24.6	28.0	25.5	28.8	27.2
18	27.0	31.0	28.5	32.0	30.4
20	29.4	34.5	31.7	35.1	33.6
22	31.8	37.5	35.0	38.4	36.8
24	34.9	41.0	38.0	41.5	40.0

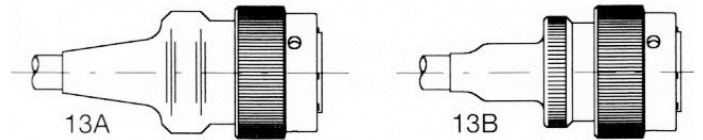
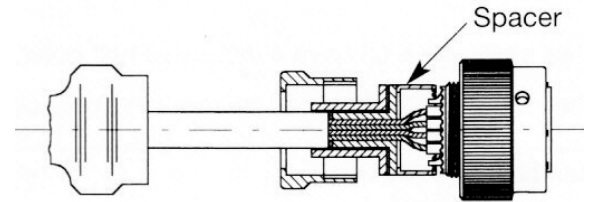
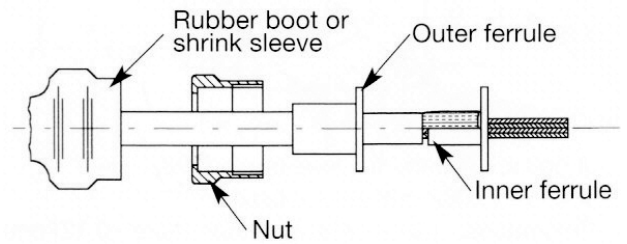
LMH/LMHF RANGE ASSEMBLY INSTRUCTIONS / MOUNTING DETAILS

Assembly instructions for 360° screened cable termination

1. Strip sheath 20mm.
2. Feed rubber boot (or shrink sleeve), nut and outer ferrule over cable.
3. Comb inner ferrule onto braid over sheath.
4. Slide inner ferrule onto braid over sheath.

Note: do not allow ferrule to slide off braid onto sheath.

5. Strip cores, tin, fit support sleeves, solder cores to connector.
6. Position support sleeves over soldered joints.
7. Slide inner ferrule off braid onto cores, adjacent outer sheath.
8. Comb braid neatly over inner ferrule.
9. Slide outer ferrule over inner ferrule and braid, closing ferrule flanges together.
10. Trim off excess braid close to flange
11. Position spacer over cores.
12. Secure ferrule and spacer to connector with nut, locking threads with liquid thread locking compound if required.
- 13A. (Rubber boot). With aid of a suitable lubricant, slide boot into position over ferrules and nut.
- 13B. (Shrink sleeve). Position shrink sleeve over ferrules. Shrink to ferrules and cable with a hot air gun.



Wire stripping

Strip insulation 3.0mm to 4.0mm from end of wires to expose conductor. Ensure that conductor ends are not frayed by twisting them back to their original lay and tin dip.

Contact size	Wire seal and conductor		
	Wire insulation		Conductor
	Dia. min [mm]	Dia. max [mm]	Dia. min [mm]
20	1.20	2.15	1.10
16	1.65	2.80	1.60

Recommended tightening torques for accessories and 07A and 07B style connector panel locking nuts.

Shell size	8	10	12	14	16	18	20	22	24
Connectors Torque (Nm)	3.75	4.05	6.80	7.35	8.25	9.25	12.00	13.90	15.05
Accessories Torque (Nm)	3.40 - 4.00	4.00 - 4.50	4.50 - 5.10	5.10 - 5.65	5.65 - 6.80	6.80 - 7.90	8.50 - 9.05	9.60 - 10.15	10.75 - 11.30

LMH/LMHF RANGE
PRODUCT SAFETY INFORMATION

These notes are intended to be used in conjunction with the Product Catalogue and Product Specification. Products may be safely used in the applications for which they have been designed and within the specified rating and environments. If products are exposed to conditions outside the performance ratings or specified environments they may constitute a hazard. In particular it should be noted that:-

1. Material Content

Circular Connectors generally use metalwork parts made of brass, aluminium, phosphor-bronze or steel, which, dependant on the particular application, may be passivated and protected with cadmium or zinc plate – in conjunction with chromated or anodised surface finishes. The insulating materials can either be natural or synthetic rubber, together with plastic or glass-filled plastic moulded parts. Contact materials vary but are usually made of brass, phosphor-bronze, alumel or chromel.

2. Electric Shock, Burns and Fire

Hazard can occur if the product is used outside the specified parameters or if the product is damaged, wrongly wired or poorly assembled, or poorly integrated into larger equipments, or contaminated with conductive fluids. Live circuit terminations must be protected and live circuits never broken by disconnecting products.

Hot spots may be created when resistance is increased due to damage or incorrect integration particularly soldering, or loose terminations. Overheating can cause breakdown of insulation, electric shock, burns or, ultimately, fire. In the event of fire noxious and/or toxic fumes may be released and, in these circumstances, any fire involving the product should be dealt with by personnel properly equipped. Connectors with exposed terminations or contacts should not be used on the current supply side of a circuit with exposed contacts on an unmated product. Before making a circuit live, the product and wiring should be checked to ensure there is no electrically conducting debris present. Circuit resistance checks should also be conducted before making the circuit live. Always ensure that connectors are assembled and wired by properly trained personnel.

3. Use, Transport and Storage of Products

Care must be exercised to avoid damage to any part of the products during transporting, storage or use. Abnormal transit or storage conditions and abuse during installation can give rise to damage. Products should not be used in a damaged condition.

Improper storage (particularly of damaged products) can give rise to additional hazards particularly corrosion. Attention is specifically drawn to the need for proper storage of products containing cadmium and you are advised to see the Guidance Note from the Health and safety Executive on Cadmium – Health and Safety Precautions.

4. Disposal of Products

Product should not be burnt.

SAFETY RULES

1. FOLLOW THE GUIDELINES GIVEN.
 2. ALWAYS PROTECT LIVE CIRCUITS AND NEVER DISCONNECT A LIVE CONNECTOR.
 3. NEVER USE A DAMAGED CONNECTOR.
 4. NEVER BURN DISCARDED CONNECTORS.
-